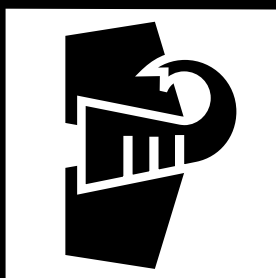


# WEERKUD®



ENGLISH  
ESPAÑOL  
DEUTSCH  
FRANÇAIS  
NEDERLANDS  
PORTUGUÊS



**WK403070**

**600W** **225<sup>mm</sup>**  $\emptyset$   **600-1500**  **5** **1.10-1.90<sup>m</sup>**  
RPM SPEEDS

ENG Circular wall-ceiling sander ESP Lijadora circular paredes-techos DEU Wand-Decken Rundscheifmaschine  
FRA Ponceuse circulaire murs-plafonds NED Circulaire muur-plafond schuurmachine POR Lixadora circular paredes-tetos

## CE DECLARATION CONFORMITY.

► Werku® declares that the **WK403070** sander is in accordance with the European Directives and Standards 2006/42/CE, 2006/95/CE, 2004/108/CE, EN60745-1:2009+A11:2010, EN60745-2-3:2011, EN55014-1:2006/+A1:2009/+A2:2011, EN55014-2:1997/+A1:2001/+A2:2008, EN61000-3-2:2006/+A1:2009/+A2:2009 and EN61000-3-3:2008.



La Coruña, 01/01/2015  
Luís Casal  
Technical Director

## TECHNICAL CHARACTERISTICS.

► Voltage-frequency 230V~50Hz ► Power 600W  
► Class II ► Protection index IP20 ► Speed rate 0-1000 min<sup>-1</sup> ► 5 speeds ► Disc diameter 225 mm  
► Total length 600-1500 mm ► Net weight 4.3 kg  
► Acoustic pressure LpA <85 dB(A) ► Respective uncertainty KpA 3 dB(A) ► Acoustic pressure LwA ≤96 dB(A) ► Respective uncertainty KwA 3 dB(A) ► Vibration Ah,DS ≤3.18 m/s<sup>2</sup> ► Respective uncertainty Kh 1.5 m/s<sup>2</sup>.

## SAFETY INSTRUCTIONS.

► Read all security warnings and all instructions  
► Failure to follow all warnings and instructions listed below may result in electrical shock, fire and/or serious injury ► Keep all warnings and all instructions for future reference ► Accidents can be avoided in many cases by recognizing a potentially hazardous situation before it occurs and by observing appropriate safety procedures ► Do not use this sander for other applications than those specified in this manual.

## WORK AREA SAFETY.

► Keep work area clean and well lit ► Cluttered and dark areas invite accidents ► Do not handle power tools in explosive atmospheres, such as in the presence of flammable liquids, gases or dusts  
► Keep away from children and curious while operating a power tool ► Distractions can cause you to lose control.

## PERSONAL SAFETY.

► Stay alert, watch what you are doing and use common sense when operating a power tool  
► Do not use a power tool while tired or under the influence of drugs, alcohol or medicines ► A moment of inattention while operating power tools may cause damage serious personal.

## USE PPE'S.

► Use protection glasses according ► Use protection masks according ► If required by the type of work, use other precise PPE.

## DO NOT WORK ON TIPTOES.

► Keep your feet on the ground and balance at all times ► This enables better control of the power tool in unexpected situations.

## DRESS PROPERLY.

► Do not wear loose clothing or jewelry ► Keep your hair, clothing and gloves away from moving parts  
► Loose clothes, jewelry or long hair can be caught in moving parts ► If there are devices for connecting means for extracting and collecting dust, make sure they are connected and properly used ► The use of these devices can reduce dust related hazards.

## ELECTRICAL SAFETY.

► The plug of the power tool must match with the base of the socket ► Never modify the plug in any way ► Do not use any adapter plug with earthed power tools ► Unmodified plugs and matching bases will reduce the risk of electric shock ► Avoid body contact with grounded surfaces such as pipes, radiators, cookers and refrigerators ► There is an increased risk of electric shock if your body is grounded ► Do not expose power tools to rain or wet conditions  
► Water entering the power tool will increase the risk of electric shock.

## DO NOT ABUSE THE CORD.

► Never use the cord to carry, lift or unplug the power tool ► Keep the cord away from heat, oil, sharp edges or moving parts ► Damaged or entangled cords increase the risk of electric shock ► When operating a power tool outdoors, use an extension cord suitable for outdoor use  
► The use of an extension cord suitable for outdoor use reduces the risk of electric shock  
► If the use of a power tool in a damp location is unavoidable, use a power protected by a residual current device (RCD) ► The use of an RCD reduces the risk of electric shock.

## AVOID ACCIDENTAL STARTING.

► Make sure the switch is in "off" position before connecting to the network, or when taking or carrying the power tool ► Carrying power tools with your finger on the switch or plugging in power tools that have the switch in "on" position invites to accidents ► Remove keys or tools

before starting the power tool ▶ A left key or tool attached to a rotating part of a power tool can cause personal injury.

## USE AND CARE OF POWER TOOLS.

▶ Do not force the power tool ▶ Use the correct power tool for your application ▶ The correct power tool will do the job better and safer at the rate for which it was conceived ▶ Do not use the power tool if the switch cannot be positioned to “off” and “on” position ▶ Any power tool that cannot be controlled with the switch is dangerous and must be repaired ▶ Remove the plug from the power supply and/or battery before making any adjustments, changing accessories or storing the power tool ▶ Such preventive safety measures reduce the risk of starting the power tool accidentally.

## STORE POWER TOOLS.

▶ Store power tools out of reach of children and not allow the handling of power tools to people unfamiliar with the tools or these instructions ▶ Power tools are dangerous in the hands of untrained users.

## MAINTENANCE.

▶ Check moving parts for misalignment or binding, there are no broken parts or other conditions that may affect the operation of power tools ▶ Power tools are repaired before use when they are damaged ▶ Many accidents are caused by poorly maintained power tools ▶ Use power tools, accessories and tool tips, etc. according to these instructions and in the manner provided for the particular type of power tool, taking into account the conditions work and work to develop ▶ The use of the power tool for applications other than those intended could result in a dangerous situation ▶ Please check your power tool serviced by a Werku® official repair service using only identical replacement parts ▶ This will ensure the safety of the power tool is maintained.

## CHECK THE GOOD CONDITION OF THE SANDER.

▶ Make sure that all the screws in the sander are perfectly tightened ▶ In cold climates or when the sander has not been used for a period, allow the sander to warm up by leaving it to run empty for a few minutes, to ensure that all internal components are perfectly lubricated ▶ Make sure that the possible installed accessories are perfectly fitted in place.

## BEFORE STARTING WORK.

▶ Make sure that the suction sander is firmly supported before using ▶ Check that no one is standing beneath you when using the suction sander in high areas ▶ Keep your hands away from all moving parts of the suction sander.

## DURING THE OPERATION.

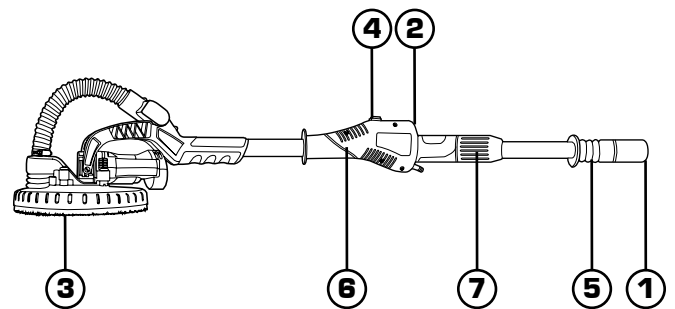
▶ Do not leave the suction sander operating without having it firmly fixed ▶ Only turn it on when you are sure you have full control over it ▶ Do not point the suction sander at anyone while in use ▶ When operating the suction sander will produce vibrations ▶ The screws may gradually come loose, and possibly cause faults or accidents ▶ Keep your hands away from all moving parts of the suction sander.

## AT FINISH WORKING.

▶ Do not touch the possible accessories installed in the suction sander after use ▶ It may be hot and cause burns ▶ Some materials worked with may contain chemicals or toxic components ▶ Avoid inhaling these substances or allowing them to come into contact with your skin ▶ Use PPE designed to prevent and protect against incidents of this kind.

## DESCRIPTION OF THE PRODUCT.

▶ The sander has been designed to carry out jobs of sanding walls and ceilings in plasterboard or finished with plaster ▶ Refer to this plan to familiarize yourself with the sander before use.



1. External vacuum connection.
2. Switch.
3. Support plate.
4. Speed selector.
5. Handle.
6. Auxiliary handle.
7. Length extension adjustment screw

## USE INSTRUCTIONS.

▶ Before starting up the sander, we recommend that you carefully read all of the instructions as

indicated ▶ Please respect all regulations regarding the prevention of accidents, health and safety directives, laws and applicable restrictions for work places ▶ The sander must only be used by persons who have been instructed in its use and only for the purposes for which it has been designed.

## **POWER SUPPLY.**

▶ Make sure the power supply is adapted to the requirements shown on the information panel of the sander (1) ▶ Using the motor at low voltage will make it operate slowly ▶ This will reduce performance and may cause the motor to overheat.

## **EXTENSION CORD.**

▶ If the working area is at some distance from the power supply, use an extension cord of enough diameter and quality.

## **SETTING EXTENSIBLE.**

▶ Loosen the adjustment screw that holds the extensible turning several times to the left (2) ▶ Pull out the extendable up to the desired position (3) ▶ Tighten the screw by turning it clockwise (4).

## **IMPORTANT.**

▶ The sander must be held by the pole with both hands to achieve the best possible position for using the sander in any application (5) ▶ Always keep your hands on the pole of the sander, never near the sanding head, as the pivots on the head move in different directions and may trap your hand causing an injury (6) ▶ The sander has a fully articulated sanding head able to pivot in different directions, making it possible to adapt the head to any type of surface (7, 8, 9) ▶ This allows users to sand the top, middle and bottom of walls or ceilings without changing position.

## **CONNECTING TO AN EXTERNAL VACUUM SYSTEM.**

▶ The sander can be connected to an external vacuum system to collect the dust produced during the sanding process ▶ To do so, first make sure that a suitable bag is fitted inside the vacuum (not supplied) for collecting plaster and mortar ▶ Installing an unsuitable or defective dust collection bag will increase the amount of dust in the working area ▶ Prolonged exposure to high concentrations of dust may affect the respiratory system ▶ Connect a vacuum hose to the sander (10) ▶ It is not advisable to use the sander without first connecting

a dust collecting system, as this may cause breathing problems ▶ The speed at which the bag fills will depend on the material being sanded and the thickness of the sandpaper used.

▶ Clean the bag regularly to guarantee the best results.

## **PROTECTIVE BRUSH FOR SANDING DISC.**

▶ The sanding base is surrounded by a protective brush (11) ▶ This brush enters into contact with the surface being sanded before the sandpaper, guaranteeing that both come into contact with each other in parallel, avoiding damage caused by the sandpaper accidentally rubbing against the work surface ▶ The protective brush also acts as a barrier against the dust created by the sander while in operation, containing it so that it is gradually eliminated by the external vacuuming system ▶ If the protective brush is damaged or worn, it must be replaced.

## **SPEED SELECTOR.**

▶ The sander is equipped with a speed selector (12) ▶ The slowest speed is in position '1' and the fastest on '5' ▶ The optimum speed adjustment for each application mainly depends on the user's preferences ▶ In general, a high value is preferable for hard materials and a lower value for soft materials ▶ The speed at which material is removed increases with the spin speed.

## **OPERATION.**

▶ Connect the external vacuum system ▶ Once connected to the power supply, turn the sander on by clicking the switch (13) ▶ To turn off the sander, release the switch ▶ Place the sander carefully over the surface to be sanded, applying sufficient pressure to light the sanding base over the working surface ▶ Apply more pressure so that the sandpaper comes into contact with the surface and move the sander with a to and fro motion to gradually reduce the working surface (14) ▶ Only use the force required to maintain contact between the sander and the working surface ▶ Excessive pressure may cause damage to the surface being sanded ▶ While the sandpaper is in contact with the working surface, the sander must be in regular, constant motion to avoid unwanted marks on the working surface ▶ Make sure the sandpaper does not come into contact with sharp or pointed edges that may cause damage to the sander ▶ Check

the results regularly, as the sander is capable of removing material very quickly, especially when using coarse sandpaper.

## **FIXING THE SANDING DISCS IN PLACE.**

► Disconnect the sander from the power supply before making any adjustments or replacing accessories ► The sanding discs are held in place with velcro (15) ► Align the sanding disc over the plate so that their edges meet (16) ► Press the sanding disc in place onto the base until it is firmly held in place (17).

## **MAINTENANCE.**

► The sander has been designed for a long working life with minimum maintenance ► Optimum use depends on correct care of the sander and regular cleaning ► To prevent accidents, always unplug the sander from the power source before cleaning or performing any maintenance ► The sander may be cleaned effectively using compressed air after each use ► If compressed air is not available, use a brush to remove dust from the sander ► Motor ventilation vents and switch levers must be kept clean and free of foreign matter ► Do not attempt to clean by inserting pointed objects through openings ► Certain cleaning agents and solvents damage plastic parts, among them are gasoline, carbon tetrachloride, chlorinated cleaning solvents, ammonia and household cleaners containing ammonia ► Do not use any of these to clean the sander ► Should excessive sparking occur, have a Werku® official repair service exam and/or replace the carbon brushes.

## **ENVIRONMENT PROTECTION.**

► The materials and components that have been used to manufacture this product can be re-used and recycled ► Werku® is adhered to an Integrated Management System that is in charge of the correct elimination of the residues of this product ► Do not eliminate this product with domestic residues ► Werku® offers to its clients a free collection service of these residues through any of its sale points, or in the collection points established by the Integrated Management System or in the recycling point of your locality.

## **WARRANTY AND TECHNICAL SERVICE.**

► Apart from the legal guarantee, Werku® offers an additional commercial guarantee ► This commercial guarantee covers the repair of all

defects found due to faults in the materials or manufacture ► For this cover to be effective it is necessary for these defects to appear within the validity period ► The consumer is entitled to free repair of all defects that Werku® recognises as included in the commercial guarantee (shipping costs, labour costs and materials included) as chosen by Werku®, either via the repair or by replacement (if necessary with a later model) ► This commercial guarantee does not affect consumer's rights established by law according to Directive 1999/44/CE ► This commercial guarantee is valid for 24 months ► If this product is destined for professional or industrial use, the validity period is 12 months ► The validity period starts on the date of purchase by the first consumer ► This date is shown on the invoice or receipt of purchase ► Actions for claims against this commercial guarantee expire six months from the end of the validity period ► Any claims arising from this commercial guarantee must be presented to the distributor or the Technical Assistance Service ► To do so you must present this guarantee correctly completed and stamped by the distributor, together with the sale invoice or receipt ► In order to require any information in relation to this commercial guarantee, the buyer and/or distributor may contact the Technical Assistance Service by telephone on +34 981 648 119, or by e-mail at [info@werku.com](mailto:info@werku.com) ► This commercial guarantee does not cover defects caused by parts that have worn out from use other types of natural wear, defects caused by failure to observe the instructions for use and operation, or for applications other than those for which this product is intended, abnormal environmental factors, overloading, or unsuitable maintenance or cleaning, faults caused by the use of spare parts, accessories or replacements that are not original Werku® parts, if the product has been totally or partially disassembled, modified or repaired by personnel other than that of the Technical Assistance Service or minimum and irrelevant irregularities for suitable use or operation ► Repairs and replacements will not extend or renew the validity period of this commercial guarantee ► The replaced parts will become the property of Werku® ► If the buyer sends the product to the Technical Assistance Service, and it fails to comply with the conditions

of this commercial guarantee, all expenses and transportation risks shall be paid by the buyer ▶ This commercial guarantee is only valid within the territory of the European Union ▶ The company responsible for the compliance of this Werku® commercial guarantee is Rico-Yáñez SA.

## **TECHNICAL ADVICE.**

▶ The technical department of Werku® is at your disposal to resolve any questions you may have regarding to its products ▶ If you wish to contact our team, send an e-mail to [info@werku.com](mailto:info@werku.com) ▶ Werku® is a comercial brand of Rico-Yáñez SA.

## DECLARACIÓN CONFORMIDAD CE.

► Werku® declara que la lijadora **WK403070** cumple las Directivas y Normativas Europeas 2006/42/CE, 2006/95/CE, 2004/108/CE, EN60745-1:2009+A11:2010, EN60745-2-3:2011, EN55014-1:2006/+A1:2009/+A2:2011, EN55014-2:1997/+A1:2001/+A2:2008, EN61000-3-2:2006/+A1:2009/+A2:2009 y EN61000-3-3:2008.

La Coruña, 01/01/2015  
Luís Casal  
Director Técnico

## CARACTERÍSTICAS TÉCNICAS.

► Voltaje-frecuencia 230V~50Hz ► Potencia 600W ► Clase II ► Índice de protección IP20  
► Revoluciones 0-1000 min<sup>-1</sup> ► 5 velocidades  
► Diámetro disco 225mm ► Largo total 600-1500 mm ► Peso neto 4.3 kg ► Presión acústica LpA ≤85 dB(A) ► Posible variación KpA 3.0 dB(A)  
► Presión acústica LwA ≤96 dB(A) ► Posible variación KwA 3.0 dB(A) ► Vibración Ah,DS ≤3.18 m/s<sup>2</sup> ► Posible variación Kh 1.5 m/s<sup>2</sup>.

## INSTRUCCIONES DE SEGURIDAD.

► Lea todas las advertencias de seguridad y todas las instrucciones ► La no observación de todas las advertencias e instrucciones relacionadas a continuación puede dar como resultado un choque eléctrico, fuego y/o una lesión seria  
► Guarde todas las advertencias y todas las instrucciones para una referencia futura ► Los accidentes podrán evitarse en muchos casos dándose cuenta de una situación peligrosa antes de que se produzca, y observando fielmente los procedimientos de seguridad apropiados ► No utilice nunca esta lijadora para aplicaciones que no sean las especificadas en este manual.

## SEGURIDAD DEL AREA DE TRABAJO.

► Mantenga el área de trabajo limpia y bien iluminada ► Las áreas desordenadas y oscuras provocan accidentes ► No maneje herramientas eléctricas en atmósferas explosivas, tales como en presencia de líquidos, gases o polvos inflamables ► Mantenga alejados a los niños y curiosos mientras maneja una herramienta eléctrica ► Las distracciones pueden causarle la pérdida del control.

## SEGURIDAD PERSONAL

► Esté alerta, vigile lo que está haciendo y use el sentido común cuando maneje una herramienta eléctrica ► No use una herramienta eléctrica cuando esté cansado o bajo la influencia de drogas, alcohol o medicamentos ► Un momento de distracción mientras maneja herramientas eléctricas puede causar un daño personal serio.

## USE EPIS.

► Use gafas de protección según EN166 ► Use mascarilla de protección según EN149 ► Si el tipo de trabajo a realizar lo requiere, utilice otros EPIS precisos.

## NO TRABAJE DE PUNTILLAS.

► Mantenga los pies bien asentados sobre el suelo y conserve el equilibrio en todo momento  
► Esto permite un mejor control de la herramienta eléctrica en situaciones inesperadas.

## VISTA ADECUADAMENTE.

► No vista ropa suelta o joyas ► Mantenga su pelo, su ropa y guantes alejados de las piezas en movimiento ► La ropa suelta, las joyas o el pelo largo pueden ser cogidos en las piezas en movimiento ► Si hay dispositivos para la conexión de medios de extracción y recogida de polvo, asegúrese de que éstos estén conectados y se usen correctamente ► El uso de estos dispositivos puede reducir los riesgos relacionados con el polvo.

## SEGURIDAD ELÉCTRICA.

► La clavija de la herramienta eléctrica debe coincidir con la base de la toma de corriente ► No modificar nunca la clavija de ninguna manera  
► No usar ningún adaptador de clavijas con herramientas eléctricas puestas a tierra ► Clavijas no modificadas y bases coincidentes reducirán el riesgo de choque eléctrico ► Evite el contacto del cuerpo con superficies puestas a tierra como tuberías, radiadores, cocinas eléctricas y refrigeradores ► Hay un riesgo aumentado de choque eléctrico si su cuerpo está puesto a tierra  
► No exponga las herramientas eléctricas a la lluvia o a condiciones de humedad ► El agua que entre en la herramienta eléctrica aumentará el riesgo de choque eléctrico.

## **NO ABUSE DEL CABLE.**

► No usar nunca el cable para llevar, levantar o desenchufar la herramienta eléctrica ► Mantenga el cable lejos del calor, aceite, cantos vivos o piezas en movimiento ► Los cables dañados o enredados aumentan el riesgo de choque eléctrico ► Cuando maneje una herramienta eléctrica en el exterior, use una prolongación de cable adecuada para uso en el exterior ► El uso de una prolongación de cable adecuada para uso en el exterior reduce el riesgo de choque eléctrico ► Si el uso de una herramienta eléctrica en un lugar húmedo es inevitable, use una alimentación protegida por un dispositivo de corriente residual (RCD) ► El uso de un RCD reduce el riesgo de choque eléctrico.

## **EVITE UN ARRANQUE ACCIDENTAL.**

► Asegúrese de que el interruptor está en posición "off" antes de conectar a la red, o al coger o transportar la herramienta eléctrica ► Transportar herramientas eléctricas con el dedo sobre el interruptor o enchufar herramientas eléctricas que tienen el interruptor en posición "on" invita a accidentes ► Retire llaves o herramientas antes de arrancar la herramienta eléctrica ► Una llave o herramienta dejada unida a una pieza rotativa de una herramienta eléctrica puede causar un daño personal.

## **UTILIZACIÓN Y CUIDADOS DE LAS HERRAMIENTAS ELÉCTRICAS.**

► No fuerce la herramienta eléctrica ► Use la herramienta eléctrica correcta para su aplicación ► La herramienta eléctrica correcta hará el trabajo mejor y más seguro al ritmo para la que fue concebida ► No use la herramienta eléctrica si el interruptor no se puede posicionar en "off" y "on" ► Cualquier herramienta eléctrica que no pueda controlarse con el interruptor es peligrosa y debe repararse ► Desenchufe la clavija de la fuente de alimentación y/o de la batería antes de efectuar cualquier ajuste, cambio de accesorios, o de almacenar las herramientas eléctricas ► Tales medidas preventivas de seguridad reducen el riesgo de arrancar la herramienta accidentalmente.

## **ALMACENE LAS HERRAMIENTAS ELÉCTRICAS.**

► Almacene las herramientas eléctricas inactivas fuera del alcance de los niños y no permita el manejo de la herramienta a personas no familiarizadas con las herramientas eléctricas o con estas instrucciones ► Las herramientas eléctricas son peligrosas en manos de usuarios no entrenados.

## **MANTENIMIENTO.**

► Compruebe que las partes móviles no estén desalineadas o trabadas, que no haya piezas rotas u otras condiciones que puedan afectar el funcionamiento de las herramientas eléctricas ► Las herramientas eléctricas se reparan antes de su uso, cuando están dañadas ► Muchos accidentes son causados por herramientas eléctricas pobremente mantenidas ► Use la herramienta eléctrica y accesorios de acuerdo con estas instrucciones y de la manera prevista para el tipo particular de herramientas eléctricas, teniendo en cuenta las condiciones de trabajo y el trabajo a desarrollar ► El uso de herramientas eléctricas para aplicaciones diferentes de las previstas podría causar una situación de peligro ► Haga revisar su herramienta eléctrica por un servicio oficial de reparación Werku® usando solamente piezas de recambio idénticas ► Esto garantizará que la seguridad de la herramienta eléctrica se mantiene.

## **VIGILE EL BUEN ESTADO DE LA LIJADORA.**

► Revise que todos los tornillos de la lijadora estén perfectamente apretados ► En climas fríos o cuando la lijadora haya estado sin uso durante largo tiempo, deje que la lijadora se caliente un poco haciéndola funcionar en vacío unos minutos para permitir una perfecta lubricación de los componentes internos ► Asegúrese de que los posibles accesorios instalados están perfectamente asentados en su posición.

## **ANTES DE EMPEZAR A TRABAJAR.**

► Asegúrese siempre antes de utilizar la lijadora que se encuentra firmemente apoyado ► Compruebe que nadie se encuentra bajo la zona de influencia de la lijadora cuando lleve a cabo trabajos en zonas elevadas ► Aleje las manos de las partes en movimiento de la lijadora.

## **DURANTE EL FUNCIONAMIENTO.**

► No deje la lijadora funcionando sin tenerlo bien sujeto ► Hágala funcionar cuando esté seguro de que la tiene plenamente controlada ► No apunte con la lijadora a nadie durante su funcionamiento ► Durante la operación, la lijadora puede producir vibración ► Los tornillos pueden ir aflojándose progresivamente pudiendo causar una avería o accidente ► Aleje las manos de las partes en movimiento de la lijadora.

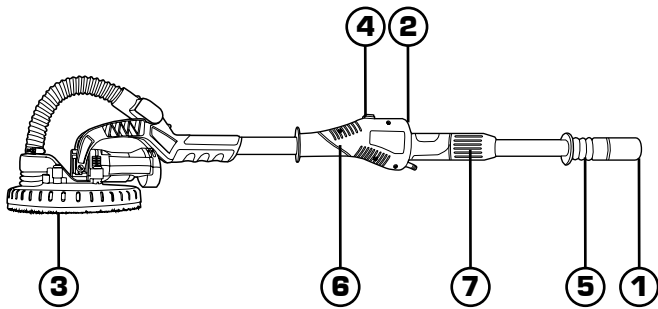


## AL TERMINAR DE TRABAJAR.

► No toque los accesorios instalados en la lijadora tras su uso ► Pueden estar muy calientes y causar una quemadura ► Algunos materiales sobre los que se trabaja pueden contener químicos o componentes que pueden ser tóxicos ► Tenga cuidado para prevenir la inhalación de estas sustancias o el contacto con la piel ► Utilice los EPIs diseñados para prevenir y protegerse de dichas incidencias.

## DESCRIPCIÓN DEL PRODUCTO.

► La lijadora se ha diseñado para realizar trabajos de lijado en paredes y techos de pladur o enlucidos con escayola ► Observe este esquema para familiarizarse con la lijadora antes de utilizarla.



1. Conexión sistema aspirado.
2. Interruptor.
3. Plato soporte.
4. Selector velocidad.
5. Empuñadura.
6. Empuñadura auxiliar.
7. Rosca ajuste extensión largo.

## INSTRUCCIONES DE USO.

► Antes de efectuar la puesta en marcha de la lijadora, es aconsejable leer completa y minuciosamente todas las instrucciones que se indican ► Asimismo, deberán tenerse en cuenta las normas para la prevención de accidentes, los reglamentos y directivas, las leyes y restricciones vigentes para los centros de trabajo ► La lijadora debe de ser utilizada únicamente por personas instruidas adecuadamente en su manejo y exclusivamente conforme a los fines previstos.

## FUENTE DE ALIMENTACIÓN.

► Asegúrese de que la fuente de alimentación se ajusta a los requisitos especificados en la placa de datos de la lijadora (1) ► Hacer funcionar el motor a bajo voltaje hará que éste opere lento ► Esto reducirá el rendimiento y puede causar que el motor se sobrecaliente.

## CABLE DE PROLONGACIÓN.

► Cuando la zona de trabajo esté alejada de la fuente de alimentación, haga uso de un cable de prolongación de suficiente diámetro y calidad.

## AJUSTE DEL EXTENSIBLE.

► Afloje la rosca de ajuste que sujeta el extensible girándola varias veces hacia la izquierda (2) ► Tire hacia afuera del extensible hasta llegar a la posición deseada (3) ► Apriete la rosca girándola hacia la derecha (4).

## IMPORTANTE.

► La lijadora debe ser agarrada con ambas manos por el mástil posicionando las manos de modo que se logre la mejor posición para manejar la lijadora en cualquier aplicación (5) ► Mantenga siempre las manos sobre el mástil de la lijadora, no las sitúe nunca en la zona de la cabeza de lijado porque los pivotes de la cabeza de lijado actúan en varias direcciones y podrían atrapar la mano provocando un accidente (6) ► La lijadora tiene una cabeza de lijado completamente articulada, pudiendo pivotar en múltiples direcciones y permitiendo al plato de lijado adaptarse al tipo de superficie al lijar (7, 8, 9) ► Esta particularidad permite al usuario lijar la parte alta, media o baja de una pared o un techo sin variar su posición.

## CONEXIÓN A SISTEMA DE ASPIRADO EXTERNO.

► La lijadora se puede conectar a un sistema de aspirado externo para recoger el polvo generado durante el proceso de lijado ► Para ello, en primer lugar, asegúrese de que dentro del aspirador (no suministrado) se ha instalado una bolsa apropiada para polvo procedente de pladur o escayola ► El hecho de instalar una bolsa de recogida de polvo inadecuada o defectuosa incrementará la presencia de polvo en el ambiente del área de trabajo ► Una exposición continua y prolongada a altas concentraciones de polvo puede afectar al sistema respiratorio ► Conecte una manguera de aspirado a la lijadora (10) ► No es recomendable utilizar la lijadora sin haberla conectado a un sistema de recolección de polvo porque podría provocar un riesgo para la respiración ► La velocidad con que se puede llenar la bolsa recolectora variará de acuerdo con al tipo de material a lijar y el grosor del papel de lija ► Para

conseguir los mejores resultados, limpie la bolsa con frecuencia.

## **CEPILLO PROTECTOR DISCO LIJADO.**

► Un cepillo protector rodea el plato de lijado (11) ► Este cepillo protector hace contacto con la superficie al lijar antes que el propio papel de lija con lo cual asegura que el contacto entre ambos sea perfectamente paralelo evitándose así daños debidos a un contacto inesperado del papel de lijado sobre la superficie de trabajo ► Por otro lado, el cepillo protector sirve de barrera al polvo generado por la lijadora durante su funcionamiento, conteniéndolo para que el sistema de aspirado externo lo elimine progresivamente ► Si el cepillo protector está dañado o excesivamente desgastado debe ser sustituido.

## **SELECTOR DE VELOCIDAD.**

► La lijadora está equipada con un selector de velocidad (12) ► La velocidad más lenta se refleja en la marca "1" y la velocidad más alta se refleja en la marca "5" ► El ajuste de velocidad óptimo para cada aplicación depende en gran medida de la preferencia del usuario ► En general, es preferible un valor alto en materiales duros y un valor menor en los blandos ► La velocidad de eliminación del material aumenta con la velocidad de giro.

## **FUNCIONAMIENTO.**

► Conecte el sistema de aspiración externo ► Una vez enchufada a la red eléctrica, para encender la lijadora presione el interruptor de encendido (13) ► Para apagar la lijadora suelte el interruptor ► Sitúe la lijadora cuidadosamente sobre la superficie a lijar aplicando la presión suficiente para alinear el plato de lijado con la superficie de trabajo ► Aplique presión adicional sobre la lijadora para hacer que el papel de lijado haga contacto con la superficie de trabajo y maneje la lijadora con movimientos superpuestos a fin de suavizar poco a poco la superficie de trabajo (14) ► Aplique simplemente la fuerza necesaria y no más sobre la lijadora simplemente para mantener el contacto entre el papel de lijado y la superficie de trabajo ► Si se aplica una presión excesiva se pueden ocasionar daños a la superficie a lijar ► Mientras el papel de lijado esté en contacto con la superficie de trabajo la lijadora ha de estar en un estable y constante movimiento para evitar

marcas no deseadas sobre la superficie de trabajo ► Evite que el papel de lijado entre en contacto con superficies apuntadas o afiladas para evitar daños en la lijadora ► Verifique los resultados con frecuencia, esta lijadora puede eliminar material muy rápidamente, especialmente si se utiliza un papel grueso.

## **FIJACIÓN DE LOS DISCOS DE LIJADO.**

► Desconecte la lijadora de la red eléctrica antes de llevar a cabo cualquier ajuste o sustitución de accesorios ► Los discos de lijado se adhieren con velcro (15) ► Alinee el disco de lijado sobre el plato para que coincidan los límites de ambas partes (16) ► Presione el disco de lija sobre la base hasta que quede perfectamente adherido (17).

## **MANTENIMIENTO.**

► La lijadora ha sido diseñada para funcionar durante mucho tiempo con un mínimo mantenimiento ► El funcionamiento óptimo depende del buen cuidado de la lijadora y de una limpieza frecuente ► Para evitar accidentes, desconecte siempre la lijadora de la fuente de alimentación antes de efectuar la limpieza o cualquier mantenimiento de la misma ► La lijadora debe limpiarse de manera eficaz utilizando aire comprimido al final de cada uso ► Utilice siempre gafas protectoras cuando trabaje con aire comprimido ► Si no puede utilizar aire comprimido, retire el polvo de la lijadora sirviéndose de un cepillo ► Las ranuras de ventilación del motor y los interruptores deben estar siempre limpios y sin ninguna clase de residuo ► No intente limpiarlos introduciendo objetos puntiagudos a través de las aberturas ► Algunos productos de limpieza y disolventes dañan los componentes de plástico, entre los cuales se encuentran la gasolina, el tetraclorometano, los disolventes de limpieza clorados, el amoníaco y los productos de limpieza domésticos que contienen amoníaco ► No utilice ninguno de los productos mencionados para limpiar la lijadora ► En el caso de que se produzcan chispas de modo excesivo, haga que el servicio oficial de reparación Werku® le revise y/o reemplace las escobillas.

## **PROTECCIÓN DEL MEDIO AMBIENTE.**

► Los materiales y componentes que han sido utilizados para fabricar este producto pueden

ser reutilizados y reciclados ► Werku® está adherido a un Sistema Integrado de Gestión que se encarga de la correcta eliminación de los residuos de este producto ► No elimine este producto en la basura doméstica ► Werku® ofrece a sus clientes un servicio gratuito de retirada de dichos residuos en cualquiera de sus puntos de venta, en los puntos de recogida establecidos por el Sistema Integrado de Gestión o en los puntos limpios de su localidad.

## **GARANTÍA Y SERVICIO TÉCNICO.**

► Además de la garantía legal, Werku® ofrece una garantía comercial adicional ► Esta garantía comercial cubre la reparación de los defectos que se aprecian debido a fallos en los materiales o en la fabricación ► Para ello es imprescindible que los defectos se produzcan dentro del periodo de validez ► El consumidor tiene derecho a la reparación gratuita de los defectos que Werku® reconoce como incluidos en la garantía comercial (gastos de envío, mano de obra y materiales incluidos), a elección de Werku®, bien mediante la reparación o mediante la sustitución (si es necesario por un modelo posterior) ► Esta garantía comercial no afecta los derechos del consumidor establecidos por ley según la Directiva 1999/44/CE ► El periodo de validez de esta garantía comercial es de 24 meses ► En caso de destinar el producto a un uso profesional o industrial, el periodo de validez es de 12 meses ► El periodo de validez se inicia en la fecha de compra por el primer consumidor ► Esta fecha se refleja en la factura o ticket de compra ► La acción para reclamar el cumplimiento de esta garantía comercial prescribe a los seis meses desde la finalización del periodo de validez ► La reclamación en virtud de esta garantía comercial debe de presentarse al distribuidor o al Servicio de Asistencia Técnica ► Para ello es imprescindible presentar esta garantía debidamente cumplimentada y sellada por el distribuidor, junto con la factura o ticket de compra ► Para cualquier información referente a esta garantía comercial el comprador y/o el distribuidor puede ponerse en contacto con el Servicio de Asistencia Técnica a través del teléfono +34 981 648 119, o mediante correo electrónico a [info@werku.com](mailto:info@werku.com) ► Quedan excluido de esta garantía comercial los defectos que han sido causados por piezas desgastadas por el uso u otro tipo de desgaste natural, los defectos

que han sido causados por inobservancia o incumplimiento de las instrucciones de uso y funcionamiento, o de aplicaciones no conformes con el uso al que se destina este producto, o de factores medioambientales anormales, o de sobrecarga, de mantenimiento o limpieza inadecuados, defectos que han sido causados por el uso de accesorios, complementos o repuestos que no son piezas originales Werku®, si el producto ha sido total o parcialmente desmontado, modificado o reparado por personal ajeno al Servicio de Asistencia Técnica o las irregularidades mínimas e irrelevantes para el uso y funcionamiento adecuado ► Las reparaciones y sustituciones no prolongan ni renuevan el plazo de validez de esta garantía comercial ► Las piezas sustituidas pasan a ser propiedad de Werku® ► Si el comprador remite el producto al Servicio de Asistencia Técnica, no cumpliendo con las condiciones de esta garantía comercial, los gastos y riesgos del transporte corren a cargo del comprador ► Esta garantía comercial es válida dentro del territorio de la Unión Europea ► La empresa responsable del cumplimiento de esta garantía comercial Werku® es Rico-Yáñez SA.

## **ASESORAMIENTO TÉCNICO.**

► Werku® pone a su disposición su departamento técnico para resolver cualquier duda que pueda surgir sobre sus productos ► En caso de que desee establecer contacto con nuestro equipo, remita un correo electrónico a la dirección [info@werku.com](mailto:info@werku.com) ► Werku® es una marca comercial de Rico-Yáñez SA.

## CE KONFORMITÄTSERKLÄRUNG.

► Werku® erklärt dass die **WK403070** Schleifer in Übereinstimmung ist mit den europäischen Richtlinien und Normen 2006/42/CE, 2006/95/CE, 2004/108/CE, EN60745-2-3:2011, EN60745-1:2009+A11:2010, EN55014-1:2006/+A1:2009/+A2:2011, EN55014-2:1997/+A1:2001/+A2:2008, EN61000-3-2:2006/+A1:2009/+A2:2009 und EN61000-3-3:2008.



La Coruña, 01/01/2015

Luís Casal

Technischer Direktor

## TECHNISCHE DATEN.

► Spannung-Frequenz 230V~50Hz  
► Leistung 600W ► Klasse II ► Schutzindex IP20 ► Umdrehungen 0-1000 min<sup>-1</sup> ► 5 Geschwindigkeiten ► Scheibendurchmesser 225 mm ► Gesamtlänge 600-1500 mm ► Nettogewicht 4.3 kg ► Schalldruck LpA ≤85 dB(A) ► Mögliche Abweichung KpA 3.0 dB(A) ► Schalleistung LwA ≤96 dB(A) ► Mögliche Abweichung KwA 3.0 dB(A) ► Vibration Ah,DS ≤3.18 m/s<sup>2</sup> ► Mögliche Abweichung Kh 1.5 m/s<sup>2</sup>.

## SICHERHEITSHINWEISE

► Lesen Sie alle Sicherheitshinweise und die gesamte Gebrauchsanleitung ► Die Nichteinhaltung aller im Folgenden aufgeführten Sicherheitshinweise und der Gebrauchsanleitung kann zum Elektroschock, Brand und/oder schweren Verletzungen führen ► Heben Sie alle Sicherheitshinweise und die gesamte Gebrauchsanleitung zum späteren Nachlesen auf ► Unfälle können häufig vermieden werden, wenn man sich im Voraus der Gefährlichkeit einer Situation bewusst ist und die angemessenen Sicherheitsverfahren hundertprozentig einhält ► Verwenden Sie diese Schleifer niemals zu anderen Zwecken, als zu den in dieser Anleitung aufgeführten.

## EIN SICHERER ARBEITSPLATZ.

► Der Arbeitsplatz muss sauber und gut beleuchtet sein ► Unordentliche und dunkle Stellen verursachen Unfälle ► Verwenden Sie elektrisches Werkzeug niemals in einer explosionsfähigen

Atmosphäre, wie in der Nähe von brennbaren Flüssigkeiten, Gasen und Stäuben ► Wenn Sie mit einem elektrisch gereedschap arbeiten, müssen Kinder und Neugierige fern bleiben ► Ablenkungen können dazu führen, dass Sie die Kontrolle über das Werkzeug verlieren.

## PERSÖNLICHE SICHERHEIT.

► Seien Sie aufmerksam, achten Sie auf das, was Sie gerade tun und setzen Sie Ihren gesunden Menschenverstand ein, wenn Sie mit einem elektrisch gereedschap arbeiten ► Verwenden Sie kein elektrisches Werkzeug, wenn Sie müde sind oder unter dem Einfluss von Drogen, Alkohol oder Medikamenten stehen ► Ein Augenblick, in dem Sie abgelenkt sind, während Sie mit einem elektrisch gereedschap arbeiten, kann zu schweren Personenschäden führen.

## PSA VERWENDEN.

► Tragen Sie eine Schutzbrille gemäß der Norm EN166 ► Tragen Sie eine Schutzmaske gemäß der Norm EN149 ► Falls die Art der Arbeit, die Sie ausführen, dies erforderlich macht, verwenden Sie eine angemessene PSA.

## NICHT AUF ZEHENSPITZEN STEHEND ARBEITEN.

► Stehen Sie mit den Füßen fest auf dem Boden und achten Sie darauf, das Gleichgewicht nicht zu verlieren ► So kontrollieren Sie in unvorhergesehenen Situationen das elektrische Werkzeug besser.

## ANGEMESSENE KLEIDUNG.

► Tragen Sie weder lockere Kleidung noch Schmuck ► Halten Sie Haare, Kleidung und Handschuhe von beweglichen Teilen fern ► Lockere Kleidung, Schmuck und lange Haare können von den beweglichen Teilen eingeklemmt werden ► Falls Anschlüsse für Entstaubungsvorrichtungen vorhanden sind, gewährleisten Sie, dass diese korrekt angeschlossen sind und richtig verwendet werden ► Die Verwendung dieser Geräte kann Risiken im Zusammenhang mit Staub verringern.

## ELEKTRISCHE SICHERHEIT.

► Der Gerätestecker muss für die vorgesehenen Steckdose geeignet sein ► Nehmen Sie keine Veränderungen am Stecker vor ► Verwenden Sie keinen Steckeradapter in Verbindung mit

geerdeten Elektrowerkzeugen ▶ Originale Stecker und geeignete Steckdosen verhindern die Stromschlaggefahr ▶ Vermeiden Sie jeden Körperkontakt mit geerdeten Flächen (z.B. Rohre, Heizkörper, Herde oder Kühlschränke) ▶ Es besteht erhöhte Stromschlaggefahr, wenn ihr Körper geerdet ist ▶ Setzen Sie Elektrowerkzeuge weder Regen noch Feuchtigkeit aus ▶ Eindringendes Wasser erhöht die Stromschlaggefahr.

## **KEIN KABELMISSBRAUCH.**

▶ Benutzen Sie das Kabel nie, um das Elektrowerkzeug zu tragen, zu ziehen oder von der Steckdose abzutrennen ▶ Halten Sie das Kabel fern von Hitze, Öl, scharfen Kanten oder beweglichen Teilen ▶ Beschädigte oder verwickelte Kabel bergen ein erhöhtes Stromschlagrisiko ▶ Falls Sie ein Elektrowerkzeug im Freien benutzen, müssen Sie ein entsprechend geeignetes Verlängerungskabel verwenden ▶ Bei Verwendung eines für Außeneinsätze geeigneten Verlängerungskabels besteht eine geringere Stromschlaggefahr ▶ Sollte der Einsatz eines Werkzeugs in einer feuchten Umgebung unvermeidlich sein, verwenden Sie eine Fehlerstromsicherheitseinrichtung ▶ Eine solche Sicherheitseinrichtung senkt die Stromschlaggefahr.

## **VERMEIDEN SIE EINEN VERSEHENTLICHEN START.**

▶ Achten Sie darauf, dass sich der Schalter in der Aus-Stellung befindet, bevor Sie das Gerät an die Stromversorgung anschließen oder es hochheben oder tragen ▶ Es besteht Verletzungsgefahr, wenn Elektrowerkzeuge mit dem Finger am Startschalter getragen oder im eingeschalteten Zustand an der Stromversorgung angeschlossen werden ▶ Entfernen Sie Justier- oder Schraubenschlüssel, bevor Sie das Elektrowerkzeug einschalten ▶ Es besteht Verletzungsgefahr, wenn ein Einstell- oder Schraubenschlüssel an einem sich drehenden Teil des Elektrowerkzeugs verbleibt.

## **BENUTZUNG UND PFLEGEN VON ELEKTROWERKZEUGEN.**

▶ Wenden Sie bei der Benutzung des Elektrowerkzeugs keine Gewalt an

▶ Verwenden Sie ein für den jeweiligen Zweck geeignetes Elektrowerkzeug ▶ Ein geeignetes Elektrowerkzeug verrichtet die Arbeit besser und sicherer ▶ Benutzen Sie das Elektrowerkzeug nicht, wenn es sich mit dem Schalter nicht ein- und ausschalten lässt. ▶ Ein Elektrowerkzeug, das sich nicht mehr mit dem Schalter kontrollieren lässt, ist gefährlich und muss repariert werden ▶ Ziehen Sie den Netzstecker und/oder entfernen Sie den Netzakku, bevor Sie Einstellungen vornehmen, Zubehör wechseln oder das Gerät lagern ▶ Solche Vorsichtsmaßnahmen verringern das Risiko eines versehentlichen Gerätstarts.

## **AUFBEWAHRUNG VON WERKZEUG MIT DRUCKLUFT.**

▶ Bewahren Sie die abgeschaltete Schleifer außerhalb der Reichweite von Kindern und Personen, die mit elektrisch gereedschapen und dieser Gebrauchsanleitung nicht vertraut sind, auf ▶ Elektrisches Werkzeug sind in den Händen ungeübter Benutzer gefährlich.

## **WARTUNG.**

▶ Stellen Sie sicher, dass die beweglichen Teile nicht falsch ausgerichtet oder verklemmt sind, dass es keine defekten Teile oder andere Bedingungen gibt, die das Funktionieren elektrisches Werkzeug beeinträchtigen könnten ▶ Wenn ein elektrisches Werkzeug beschädigt ist, muss es vor seiner Verwendung repariert werden ▶ Viele Unfälle werden von schlecht gewarteten elektrisch gereedschapen verursacht ▶ Benutzen Sie das elektrische Werkzeug sowie dessen Zubehör gemäß dieser Gebrauchsanleitung und so, wie es für den jeweiligen Werkzeugtyp vorgesehen ist. Berücksichtigen Sie die Arbeitsbedingungen und die Art der auszuführenden Arbeit ▶ Eine zweckfremde Verwendung des elektrisches Werkzeug kann gefährlich sein ▶ Lassen Sie Ihr elektrisches Werkzeug von einem qualifizierten Reparaturdienst von Werku® überprüfen und verwenden Sie nur Originalersatzteile ▶ Das garantiert eine dauerhafte Sicherheit Ihres elektrisches Werkzeug.

## ÜBERWACHUNG DES ZUSTANDS DER SCHLEIFER.

► Prüfen Sie, ob alle Schrauben der Schleifer fest angezogen sind ► Bei kaltem Wetter oder wenn die Schleifer längere Zeit nicht benutzt worden ist, erwärmen Sie die Schleifer eine Weile, indem Sie sie einige Minuten lang leer laufen lassen. Das verbessert die Schmierung der internen Bauteile ► Gewährleisten Sie, dass möglicherweise montiertes Zubehör fest an seiner Stelle sitzt.

## VOR ARBEITSBEGINN.

► Vor Verwendung der Schleifer stellen Sie sicher, dass diese fest aufliegt ► Achten Sie darauf, dass sich niemand unterhalb des Einflussbereiches der Schleifer befindet, wenn Sie in der Höhe arbeiten ► Halten Sie die Hände fern von den beweglichen Teilen der Schleifer.

## BEI BETRIEB.

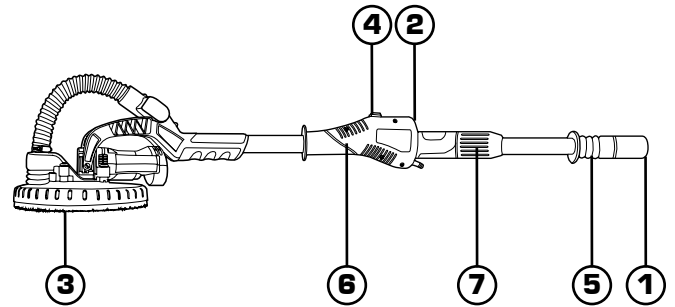
► Wenn die Schleifer nicht fest in den Händen liegt, lassen Sie sie ausgeschaltet ► Nehmen Sie sie nur in Betrieb, wenn Sie sich sicher sind, dass Sie sie vollständig unter Kontrolle haben ► Zielen Sie auf niemanden mit eingeschalteter Schleifer ► Beim Arbeiten kann die Schleifer vibrieren ► Die Schrauben können sich nach und nach lösen und eine Störung oder einen Unfall verursachen ► Halten Sie die Hände von den beweglichen Teilen der Schleifer fern.

## NACH ARBEITSENDE.

► Berühren Sie nach Gebrauch nicht das an der Schleifer angebrachte Zubehör ► Es kann sehr heiß sein und Verbrennungen verursachen ► Einige Materialien, mit denen gearbeitet wird, können toxische chemische Substanzen enthalten ► Seien Sie vorsichtig und vermeiden Sie das Einatmen dieser Substanzen und den Hautkontakt damit ► Verwenden Sie die PSA, um sich vor solchen Zwischenfällen zu schützen und diese zu vermeiden.

## PRODUKTBESCHREIBUNG.

► Die Schleifmaschine wurde zum Schleifen von Rigipswänden und -decken oder zum Glattputzen von Gipsplatten entwickelt ► Beachten Sie dieses Schema, um sich mit der Schleifer vor ihrer Verwendung vertraut zu machen.



1. Anschluss an die Absaugvorrichtung
2. Schalter
3. Trageteller
4. Geschwindigkeitsregler
5. Griff
6. Hilfsgriff
7. Gewinde zur Griffverlängerung

## BEDIENUNGSANLEITUNG.

► Bevor Sie die Schleifer einschalten, sollten Sie alle angegebenen Anweisungen vollständig und gründlich durchlesen ► Ebenso sollten Unfallverhütungsvorschriften, Regeln und Richtlinien sowie die für die Betriebe geltenden Gesetze und Einschränkungen berücksichtigt werden ► Die Schleifer darf nur von in ihrer Bedienung angemessen geschulten Personen und ausschließlich zu den vorgesehenen Zwecken verwendet werden.

## STROMVERSORGUNG.

► Achten Sie darauf, dass die Stromversorgung den auf dem Typenschild der Schleifer angegebenen Anforderungen entspricht (1) ► Das Laufenlassen des Motors mit Unterspannung bewirkt, dass er langsam arbeitet ► Dies verringert die Leistung und kann zur Überhitzung des Motors führen.

## VERLÄNGERUNGSKABEL.

► Wenn der Arbeitsbereich von der Stromversorgung entfernt liegt, verwenden Sie ein Verlängerungskabel von ausreichendem Durchmesser und Qualität.

## EINSTELLUNG DER GRIFFVERLÄNGERUNG.

► Lockern Sie das Einstellgewinde, das die Griffverlängerung hält, durch mehrmaliges Drehen nach links (2) ► Ziehen Sie die Griffverlängerung nach außen, bis sie die gewünschte Position erreicht haben (3) ► Drehen Sie das Gewinde wieder fest, indem Sie es nach rechts drehen (4).

## **WICHTIG.**

► Halten Sie die Schleifmaschine mit beiden Händen am Griff so fest, dass das Gerät in optimaler Position für die verschiedenen Anwendungen fest in den Händen liegt (5)  
► Lassen Sie die Hände immer am Griff und bringen Sie sie niemals in die Nähe des Schleifkopfes, da dieser in verschiedene Richtungen ausschwenkt, die Hände einklemmen und einen Unfall verursachen könnte (6) ► Die Schleifmaschine ist mit einem vollständig beweglichen Schleifkopf ausgestattet, der in verschiedene Richtungen pendelt. Aufgrund dieser Eigenschaft passt der Schleifteller sich an alle Arten von zu schleifenden Flächen an (7, 8, 9) ► Der Benutzer kann eine Wand oben, in der Mitte oder unten bzw. eine Decke schleifen, ohne seine Stellung ändern zu müssen.

## **ANSCHLUSS AN DIE ABSAUGVORRICHTUNG.**

► Die Schleifmaschine kann an eine externe Absaugvorrichtung zum Absaugen des Schleifstaubs angeschlossen werden ► Zu diesem Zweck stellen Sie zunächst sicher, dass ein geeigneter Staubbeutel zum Aufsammeln von Rigips- und Gipsstaub in die Absaugvorrichtung (nicht im Lieferumfang inbegriffen) eingelegt ist ► Die Verwendung eines ungeeigneten oder defekten Beutels erhöht das Aufkommen von Staub in der Luft am Arbeitsplatz ► Ein dauerhafter Kontakt mit hohen Staubkonzentrationen über einen längeren Zeitraum erhöht das Risiko von Atemwegserkrankungen ► Schließen Sie den Saugschlauch an die Schleifmaschine an (10)  
► Die Verwendung der Schleifmaschine ohne die Staubabsaugvorrichtung ist nicht empfehlenswert, da dies ein Risiko für die Atemwege darstellen würde ► Wie schnell der Staubbeutel sich füllt, hängt vom zu schleifenden Material und der Stärke des Schleifpapiers ab ► Um ein gutes Schleifergebnis zu erzielen, reinigen Sie den Staubbeutel regelmäßig.

## **SCHUTZBÜRSTE DER SCHLEIFSCHEIBE.**

► Der Schleifteller ist von einer Schutzbürste umgeben (11) ► Diese Schutzbürste tritt mit der zu schleifenden Fläche vor dem Schleifpapier in Kontakt, womit gewährleistet wird, dass

der Kontakt zwischen beiden Flächen parallel ist und Schäden infolge plötzlicher und unerwarteter Berührungen der Arbeitsfläche durch das Schleifpapier vermieden werden  
► Die Schutzbürste baut außerdem eine Barriere gegen den von der Schleifmaschine erzeugten Staub auf und hält ihn zurück, damit dieser nach und nach von der externen Absaugvorrichtung aufgesaugt werden kann ► Eine beschädigte oder stark abgenutzte Schutzbürste muss ausgewechselt werden.

## **GESCHWINDIGKEITSREGLER.**

► Die Schleifmaschine ist mit einem Geschwindigkeitsregler ausgestattet (12) ► Die niedrigste Geschwindigkeit wird mit "1" und die höchste Geschwindigkeit mit "5" angezeigt ► Die gewählte Geschwindigkeit bei den einzelnen Anwendungen hängt in erster Linie von den persönlichen Vorlieben des Benutzers ab  
► Im Allgemeinen sollte bei der Bearbeitung harter Materialien eine hohe Geschwindigkeit und bei weichen Materialien eine niedrige Geschwindigkeit gewählt werden ► Je höher die Drehgeschwindigkeit, desto schneller wird das Material abgetragen.

## **ARBEITSWEISE.**

► Schließen Sie die externe Absaugvorrichtung an ► Nachdem Sie die Maschine an den Strom angeschlossen haben, betätigen Sie den EIN-Schalter (13) ► Lassen Sie den Schalter los, um die Maschine wieder auszustellen  
► Bringen Sie die Schleifmaschine vorsichtig und mit ausreichendem Druck in Kontakt mit der zu schleifenden Fläche ► Üben Sie zusätzlichen Druck auf die Maschine aus, damit das Schleifpapier in Kontakt mit der Arbeitsfläche kommt und schwenken Sie die Schleifmaschine mehrmals über dieselben Flächen, um die Arbeitsfläche nach und nach abzuschleifen (14) ► Drücken Sie nicht zu fest, es reicht aus, dass das Schleifpapier im Kontakt mit der Arbeitsfläche ist ► Bei zu starkem Druck kann die zu schleifende Fläche beschädigt werden ► Während das Schleifpapier Kontakt zur Arbeitsfläche hat, muss die Maschine ununterbrochen bewegt werden, um unerschwünschte Einkerbungen

in die Arbeitsfläche zu vermeiden ► Vermeiden Sie den Kontakt des Schleifpapiers mit spitzen oder scharfen Stellen, die die Schleifmaschine beschädigen könnten ► Überprüfen Sie die Schleifergebnisse regelmäßig, da die Maschine das Material sehr schnell abtragen kann, insbesondere bei Verwendung dicken Schleifpapiers.

## **ANBRINGEN DER SCHLEIFSCHEIBEN.**

► Bevor Sie Einstellungen an der Schleifmaschine vornehmen oder Zubehör auswechseln, trennen Sie das Gerät von der Stromversorgung ► Die Schleifscheiben werden mit einem Klettband befestigt (15) ► Legen Sie die Schleifscheibe so auf den Schleifteller, dass die Ränder an allen Seiten übereinstimmen (16) ► Drücken Sie die Schleifscheibe gegen die Auflage, bis diese fest sitzt (17).

## **WARTUNG.**

► Die Schleifer wurde entworfen, um mit minimaler Wartung lange Zeit zu funktionieren ► Das optimale Funktionieren hängt von guter Pflege der Schleifer und häufiger Reinigung ab ► Um Unfälle zu vermeiden, müssen Sie die Schleifer immer von der Steckdose trennen, bevor Sie sie reinigen oder warten ► Die Schleifer muss nach jedem Gebrauch wirksam mit Pressluft gereinigt werden ► Verwenden Sie immer eine Schutzbrille, wenn Sie mit Pressluft arbeiten ► Wenn Sie keine Pressluft verwenden, entfernen Sie den Staub der Schleifer mit Hilfe einer Bürste ► Die Lüftungsschlitze des Motors und die Schalter müssen immer sauber und ohne jegliche Art von Rückständen sein ► Versuchen Sie nicht, sie durch Einführen spitzer Gegenstände in die Öffnungen zu reinigen ► Einige Reinigungs- und Lösungsmittel wie Benzin, Tetrachlormethan, chlorierte lösemittelbasierte Reiniger, Ammoniak und ammoniakhaltige Haushaltsreiniger beschädigen die Kunststoffteile ► Verwenden Sie keines der genannten Produkte zum Reinigen der Schleifer ► Wenn es zu starkem Funkenschlag kommt, veranlassen Sie eine Überprüfung und/oder einen Austausch der Bürsten durch den offiziellen Reparaturservice Werku®.

## **UMWELTSCHUTZ.**

► Die Materialien und Bauteile, die für die Herstellung dieses Produkts verwendet wurden, können recycelt und wiederverwertet werden ► Werku® arbeitet mit einem Integrierten Abfallbewirtschaftungssystem, das die korrekte Entsorgung der Rückstände dieses Produkts abwickelt ► Werfen Sie dieses Produkt nicht in den Haushaltsmüll ► Werku® bietet seinen Kunden einen kostenlosen Service, um diese Rückstände von einer der Verkaufsstellen, dem vom Integrierten Abfallbewirtschaftungssystem eingerichteten Sammelstellen oder den Abfallsammelstellen Ihrer Gemeinde abzuholen.

## **GARANTIE UND KUNDENSERVICE.**

► Neben der gesetzlichen Garantie räumt Werku® Ihnen zusätzlich eine kommerzielle Garantie ein ► Die kommerzielle Garantie umfasst die Reparatur von Mängeln aufgrund von Material- oder Fabrikationsfehlern ► Damit diese Garantie gewährleistet wird, müssen diese Mängel innerhalb des Gültigkeitszeitraums auftreten ► Der Verbraucher hat das Recht auf kostenlose Reparatur von Mängeln, die von Werku® als in der kommerziellen Garantie eingeschlossen anerkannt werden (einschl. Versand-, Verarbeitungs- oder Materialkosten); nach Wahl von Werku® entweder durch Reparatur oder durch Ersatz (falls erforderlich, durch ein späteres Modell) ► Diese kommerzielle Garantie betrifft nicht die in der EU-Richtlinie 1999/44/EG festgelegten Verbraucherrechte ► Der Gültigkeitszeitraum dieser kommerziellen Garantie beträgt 24 Monate ► Falls das Produkt für den gewerblichen oder industriellen Gebrauch bestimmt ist, beträgt der Gültigkeitszeitraum 12 Monate ► Der Gültigkeitszeitraum beginnt ab dem Datum des Kaufes durch den erstmaligen Verbraucher ► Dieses Datum ist auf der Rechnung oder dem Kaufbeleg enthalten ► Die Zeit für Gewährleistungsansprüche im Hinblick auf die Erfüllung dieser kommerziellen Garantie ist auf sechs Monate ab Ende des Gültigkeitszeitraums festgelegt ► Eine Reklamation im Zusammenhang mit dieser kommerziellen Garantie muss dem Händler oder Kundenservice vorgelegt werden ► Hierzu muss diese Garantie ordnungsgemäß ausgefüllt, vom Händler gestempelt und zusammen mit



der Rechnung oder dem Kaufbeleg vorgelegt werden ► Für weitere Informationen zu dieser kommerziellen Garantie können sich der Käufer oder der Händler telefonisch über +34 981 648 119 oder über E-Mail an [info@werku.com](mailto:info@werku.com) mit dem Kundenservice in Verbindung setzen ► Ausgenommen von dieser kommerziellen Garantie sind Mängel, die infolge von verschlissenen Teilen durch den Gebrauch oder eine andere Art von natürlichem Verschleiß verursacht wurden, Mängel aufgrund von Unaufmerksamkeit oder Nichtbefolgung der Bedienungsanleitung und unsachgemäßem Betrieb, eine Benutzung, die nicht dem Gebrauch entspricht, für den das Produkt bestimmt ist, ungewöhnliche Umweltfaktoren, Überlastung, unangemessene Wartung oder Reinigung, Mängel aufgrund der Verwendung von Zubehör, Ergänzungen oder Ersatzteilen, die keine Originalteile von Werku® sind, wenn das Produkt durch Personal, das nicht zum Kundenservice gehört, ganz oder teilweise auseinander montiert, verändert oder repariert wurde oder kleine und für den Gebrauch und ordnungsgemäßen Betrieb unwesentliche Unregelmäßigkeiten ► Durch Reparaturen und Ersatz wird der Gültigkeitszeitraum für diese kommerzielle Garantie weder verlängert noch neu festgelegt ► Ersetzte Teile gehen in das Eigentum von Werku® über ► Wenn der Käufer das Produkt an den Kundenservice zurückgibt und dabei nicht die Bedingungen dieser kommerziellen Garantie erfüllt, gehen die Kosten und Gefahren zu Lasten des Käufers ► Diese kommerzielle Garantie gilt auf dem Gebiet der Europäischen Union ► Das für die Erfüllung der kommerziellen Garantie verantwortliche Unternehmen Werku® ist Rico-Yáñez SA.

## **TECHNISCHE BERATUNG.**

► Werku® stellt Ihnen seine technische Abteilung zur Verfügung, damit Sie alle Fragen, die zu unseren Produkten auftreten könnten, klären können ► Wenn Sie sich mit unserem Team in Verbindung setzen möchten, senden Sie eine E-Mail an folgende Adresse: [info@werku.com](mailto:info@werku.com) ► Werku® ist ein eingetragenes Warenzeichen der Rico-Yáñez SA.

## DÉCLARATION DE CONFORMITÉ CE.

► Werku® déclare que le ponceuse **WK403070** est en conformité avec les directives et normes européennes 2006/42/CE, 2006/95/CE, 2004/108/CE, EN60745-1:2009+A11:2010, EN60745-2-3:2011, EN55014-1:2006/+A1:2009/+A2:2011, EN55014-2:1997/+A1:2001/+A2:2008, EN61000-3-2:2006/+A1:2009/+A2:2009 et EN61000-3-3:2008.



La Coruña, 01/01/2015

Luís Casal

Directeur Technique

## CARACTÉRISTIQUES TECHNIQUES.

► Voltage-fréquence 230V~50Hz ► Puissance 600W ► Classe II ► Indice de protection IP20 ► Révolutions 0-1000 min<sup>-1</sup> ► 5 vitesses ► Diamètre disque 225 mm ► Longueur totale 600-1500 mm ► Poids net 4.3 kg ► Pression acoustique LpA ≤85 dB(A) ► Possible variation kPa 3.0 dB(A) ► Pression acoustique LwA ≤96 dB(A) ► Possible variation KwA 3.0 dB(A) ► Vibration Ah,DS ≤3.18 m/s<sup>2</sup> ► Possible variation Kh 1.5 m/s<sup>2</sup>.

## CONSIGNES DE SÉCURITÉ.

► Veuillez lire toutes les consignes de sécurité et tous les avertissements ► Le non respect de l'ensemble des avertissements et des consignes figurant ci-dessous peut être la cause d'un choc électrique, d'un incendie et/ou de blessures graves ► Conservez tous les avertissements et toutes les consignes pour vous y référer ultérieurement ► Les accidents peuvent dans de nombreux cas être évités en identifiant les situations dangereuses avant qu'un accident ne se produise et en respectant fidèlement les procédures de sécurité adéquates ► N'utilisez jamais ce ponceuse dans les cas non spécifiés dans ce manuel.

## SÉCURITÉ DE LA ZONE DE TRAVAIL.

► Conservez la zone de travail rangée et bien éclairée ► Les zones mal rangées et mal éclairées sont sources d'accidents ► Ne manipulez pas d'outils électriques dans des environnements explosifs comme en présence de liquides, de gaz ou de poussières inflammables ► Maintenez les enfants et les curieux éloignés pendant que vous manipulez un outil électrique ► Les distractions peuvent être sources d'une perte de contrôle.

## SÉCURITÉ PERSONNELLE.

► Soyez vigilant et attentif à ce que vous faites et faites appel à votre bon sens quand vous manipulez un outil électrique ► N'utilisez pas d'outil électrique si vous êtes fatigué ou sous l'influence de drogues, d'alcool ou de médicaments ► Un moment de distraction pendant que vous manipulez des outils électriques peut vous causer de graves blessures corporelles.

## UTILISEZ DES EPI.

► Utilisez des lunettes de protection conformes à EN166 ► Utilisez un masque de protection conforme à EN149 ► Si le type de travail à effectuer le requiert, utilisez d'autres équipements de protection individuelle.

## NE TRAVAILLEZ PAS SUR LA POINTE DES PIEDS.

► Maintenez vos pieds bien à plat sur le sol et conservez votre équilibre à tout moment ► Cela vous permettra de mieux contrôler l'outil électrique en cas d'imprévu.

## HABILLEZ-VOUS EN CONSÉQUENCE.

► Ne portez pas de vêtements flottants ou des bijoux ► Éloignez vos cheveux, vos vêtements et vos gants des pièces en mouvement ► Les vêtements flottants, les bijoux ou les cheveux longs peuvent être pris dans les pièces en mouvement ► S'il existe des dispositifs pour la connexion de moyens d'extraction et de ramassage de la poussière, assurez-vous qu'ils soient branchés et qu'ils fonctionnent correctement ► L'utilisation de ces dispositifs peut réduire les risques liés à la poussière.

## SÉCURITÉ ÉLECTRIQUE.

► La prise mâle de l'outil électrique doit être adaptée au socle de la prise de courant ► Ne jamais modifier la prise mâle de quelque manière que ce soit ► Ne pas utiliser d'adaptateurs de prises avec des outils électriques mis à la terre ► Des prises non modifiées et des socles adaptés permettront de réduire le risque d'électrocution ► Évitez le contact du corps avec des surfaces mises à la terre telles que des tuyaux, des radiateurs, des cuisinières électriques et des réfrigérateurs ► Il existe un risque accru d'électrocution si votre corps est en contact avec le sol ► Ne pas exposer les outils électriques à la pluie ou à des conditions d'humidité ► L'entrée d'eau dans un outil électrique augmente le risque d'électrocution.

## **N'ABUSEZ PAS DU CÂBLE.**

► Ne jamais utiliser le câble de branchement pour soulever, porter ou débrancher l'outil électrique  
► Maintenez le câble éloigné de la chaleur, de l'huile, des objets et bords tranchants ou des pièces en mouvement  
► Les câbles endommagés ou emmêlés augmentent le risque d'électrocution  
► Lorsque vous manipulez un outil électrique à l'extérieur, utilisez une rallonge adaptée à une utilisation en extérieur  
► L'utilisation d'une rallonge adaptée à un usage en extérieur réduit le risque d'électrocution  
► Si l'utilisation d'un outil électrique dans un endroit humide est inévitable, utilisez une alimentation protégée par un dispositif de courant résiduel (RCD)  
► L'utilisation d'un RCD réduit le risque d'électrocution.

## **ÉVITEZ UN DÉMARRAGE ACCIDENTEL.**

► Assurez-vous que l'interrupteur est en position « off » avant de le brancher au réseau ou avant de prendre ou de transporter l'outil  
► Transporter des outils électriques en ayant le doigt sur l'interrupteur ou brancher un outil électrique dont le bouton est en position « on » augmente le risque d'accidents  
► Retirez les clés ou les outils avant de démarrer une machine électrique  
► Une clé ou un outil restés attachés à une pièce rotative d'une machine électrique peut entraîner des blessures corporelles.

## **UTILISATION ET ENTRETIEN DES OUTILS ÉLECTRIQUES.**

► Ne forcez pas sur l'outil électrique  
► Utilisez l'outil électrique approprié à la tâche à effectuer  
► Utiliser un outil électrique adapté garantit un meilleur travail et l'utiliser au rythme pour lequel il a été conçu constitue une garantie de sécurité  
► N'utilisez pas l'outil électrique si le bouton ne peut pas être positionné sur « off » et « on »  
► Toute machine électrique est dangereuse si elle ne peut pas être maîtrisée par un bouton d'arrêt. Dans ce cas, elle doit être réparée  
► Débranchez la prise de la source d'alimentation et/ou de la batterie avant tout réglage, changement d'accessoires ou stockage de l'outil électrique  
► Adopter ces mesures préventives de sécurité réduit le risque de démarrer l'outil de manière accidentelle.

## **STOCKEZ LES OUTILS ÉLECTRIQUES.**

► Rangez les outils électriques inutilisés hors de portée des enfants et n'autorisez pas leur maniement par des personnes non familiarisées avec ce type d'outils ou méconnaissant les consignes de sécurité  
► Les outils électriques sont dangereux entre les mains d'utilisateurs non avertis.

## **ENTRETIEN.**

► Vérifiez que les parties mobiles ne sont pas désalignées ou entravées, qu'il n'y a pas de pièces cassées ou d'autres conditions qui peuvent affecter le fonctionnement des outils électriques  
► Les outils électriques doivent être réparés avant leur utilisation quand ils sont endommagés  
► De nombreux accidents sont causés par des outils électriques mal entretenus  
► Utilisez ces outils électriques et leurs accessoires en respectant ces instructions et le mode d'utilisation prévu pour chaque type d'outils électriques, en tenant compte des conditions de travail et de la tâche à effectuer  
► L'utilisation de l'outil électrique à des fins autres que celles spécifiées pourrait provoquer une situation de danger  
► Faites réviser vos outils électriques par un service officiel de réparation Werku® en utilisant uniquement des pièces de rechange identiques  
► C'est une garantie de sécurité pour votre outil.

## **VÉRIFIEZ LE BON ÉTAT DE VOTRE PONCEUSE.**

► Vérifiez que toutes les vis du ponceuse sont parfaitement bien serrées  
► Sous des climats froids ou quand le ponceuse n'a pas été utilisé depuis longtemps, laissez le ponceuse se réchauffer un peu en le faisant fonctionner à vide pendant quelques minutes afin de permettre une parfaite lubrification de ses composants internes  
► Assurez-vous que les possibles accessoires installés sont bien à leur place.

## **AVANT DE COMMENCER À TRAVAILLER.**

► Avant d'utiliser le ponceuse, assurez-vous qu'il est fermement calé  
► Vérifiez que personne ne se trouve dans la zone d'action du ponceuse quand vous effectuez des travaux dans des zones en hauteur  
► Éloignez vos mains des parties du ponceuse en mouvement.

## **PENDANT LE FONCTIONNEMENT.**

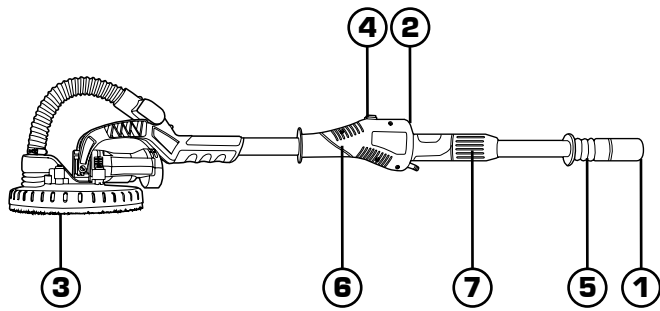
► Ne faites pas fonctionner le ponceuse s'il n'est pas bien maintenu  
► Faites-le fonctionner quand vous êtes sûr de le contrôler totalement  
► Ne le dirigez pas vers quelqu'un pendant son fonctionnement  
► Pendant l'opération, le ponceuse peut produire des vibrations  
► Les vis peuvent se dévisser petit à petit, ce qui peut provoquer une panne ou un accident  
► Éloignez vos mains des parties du ponceuse en mouvement.

## À LA FIN DE VOTRE TRAVAIL.

► Ne touchez pas les accessoires installés sur le ponceuse après son utilisation ► Ils peuvent être très chauds et causer des brûlures ► Certains matériaux sur lesquels vous travaillez peuvent contenir des substances chimiques ou des composants toxiques ► Soyez attentif à ne pas inhaler ces substances et à ce que votre peau ne soit pas en contact avec ► Utilisez les EPI conçus pour prévenir et vous protéger de ce type d'accidents.

## DESCRIPTION DU PRODUIT.

► Cette ponceuse a été conçue pour effectuer des travaux de ponçage sur des murs et des plafonds en plâtre ou à enduits de plâtre ► Observez ce schéma pour vous familiariser avec la ponceuse avant de l'utiliser.



1. Raccordement système aspiration.
2. Bouton interrupteur.
3. Plateau support.
4. Sélecteur de vitesse.
5. Poignée.
6. Poignée auxiliaire.
7. Vis de réglage extension longueur.

## NOTICE D'UTILISATION.

► Avant de démarrer la ponceuse, il est recommandé de lire complètement et minutieusement toutes les instructions ci-dessous ► Vous devrez également tenir compte des normes de prévention des accidents, des règlements et des directives ainsi que des lois et restrictions en vigueur pour les centres de travail ► La ponceuse doit être utilisée uniquement par des personnes adéquatement formées à son maniement et respectant exclusivement les applications ici prévues.

## SOURCE D'ALIMENTATION.

► Assurez-vous que la source d'alimentation est

adaptée aux conditions spécifiées sur la plaque d'informations de la ponceuse (1) ► Si vous utilisez un faible voltage, le moteur fonctionnera lentement ► Ce qui réduira le rendement et pourra provoquer une surchauffe du moteur.

## RALLONGE.

► Si la zone de travail est éloignée de la source d'alimentation, utilisez une rallonge d'un diamètre et d'une qualité suffisants.

## RÉGLAGE DE L'EXTENSION.

► Desserrez la vis de réglage qui maintient l'extension en la faisant tourner plusieurs fois vers la gauche (2) ► Tirez vers l'extérieur de l'extensible pour atteindre la position souhaitée (3) ► Resserrez la vis vers la droite (4).

## IMPORTANT.

► La ponceuse doit être maintenue avec les deux mains par le manche de sorte qu'elle puisse être manipulée de la meilleure façon possible, quel que soit le travail à effectuer (5) ► Maintenez toujours vos mains sur le manche de la ponceuse. Ne les positionnez jamais vers la tête de la ponceuse car les pivots de la tête bougent dans plusieurs directions et pourraient provoquer un accident en entraînant la main (6) ► La ponceuse dispose d'une tête de ponçage entièrement articulée qui peut pivoter dans n'importe quelle direction, permettant au plateau de ponçage de s'adapter au type de surface à poncer (7, 8, 9) ► Cette particularité permet à l'utilisateur de poncer le haut, le milieu et le bas d'un mur ou les différentes parties d'un plafond sans changer de position.

## RACCORDEMENT À UN SYSTÈME D'ASPIRATION EXTERNE.

► La ponceuse peut être raccordée à un système d'aspiration externe pour recueillir la poussière produite au cours du ponçage ► Pour cela, assurez-vous d'abord que l'aspirateur (non fourni) soit muni d'un sac approprié pour la poussière de plâtre ou d'enduit de plâtre ► Si vous installez un sac à poussière inadéquat ou défectueux, la poussière risque d'être importante dans l'air ambiant du secteur de travail ► Une exposition continue et prolongée à de fortes concentrations de poussière peut affecter votre système respiratoire ► Raccordez un tuyau d'aspiration à la ponceuse (10) ► Il n'est

pas recommandé d'utiliser la ponceuse sans l'avoir raccordée à un système de collecte de la poussière étant donné les risques pour la respiration ► La vitesse de remplissage du sac collecteur est variable suivant le type de matériau à poncer et le granulage du papier de verre ► Pour de meilleurs résultats, nettoyez le sac régulièrement.

## **BROSSE DE PROTECTION DU DISQUE DE PONÇAGE.**

► Une brosse de protection entoure le plateau de ponçage (11) ► Cette brosse est en contact avec la surface à poncer avant le papier de verre. Le contact entre les deux est donc parfaitement parallèle, ce qui évite les dommages provoqués par un contact inopportun du papier de verre avec la surface de travail ► D'autre part, la brosse de protection sert de barrière à la poussière produite par la ponceuse pendant son fonctionnement, et la contient afin que le système d'aspiration externe puisse l'éliminer ► Si la brosse est endommagée ou excessivement usée, elle doit être remplacée.

## **SÉLECTEUR DE VITESSE.**

► La ponceuse est équipée d'un sélecteur de vitesse (12) ► La vitesse la plus basse correspond à la position « 1 » tandis que la vitesse la plus élevée correspond à la position « 5 » ► Le réglage de la vitesse idéale à chaque application dépend dans une large mesure de la préférence de l'utilisateur ► En général, une vitesse élevée est préférable pour les matériaux durs tandis qu'une valeur plus basse est préférable pour les matériaux plus tendres ► La vitesse d'élimination du matériau augmente avec la vitesse de rotation.

## **FONCTIONNEMENT.**

► Reliez le système d'aspiration externe ► Une fois branchée sur le secteur, allumez la ponceuse en appuyant sur le bouton d'allumage (13) ► Pour éteindre la ponceuse, relâchez le bouton interrupteur ► Positionnez soigneusement la ponceuse sur la surface à poncer en appliquant la pression suffisante pour aligner le plateau de ponçage sur la surface de travail ► Appuyez un peu plus sur la ponceuse pour que le papier de verre soit en contact avec la surface de travail et manipulez la ponceuse avec des mouvements successifs pour égaliser peu à peu la surface de travail (14) ► Appuyez juste ce qu'il faut sur la ponceuse pour maintenir le papier de

verre en contact avec la surface de travail ► Si vous appuyez trop, vous pouvez endommager la surface à poncer ► Tant que le papier de verre est en contact avec la surface de travail, la ponceuse doit être stable et en constant mouvement afin d'éviter toute marque indésirable sur la surface de travail ► Évitez de mettre en contact le papier de verre avec des surfaces pointues et aiguisées afin d'éviter d'endommager la ponceuse ► Vérifiez le résultat de votre travail régulièrement ► Cette ponceuse permet d'éliminer rapidement le matériau, surtout si vous utilisez un papier de verre à grains épais.

## **FIXATION DES DISQUES DE PAPIER DE VERRE.**

► Débranchez la ponceuse du réseau électrique avant d'effectuer un réglage ou un remplacement d'accessoires ► Les disques de papier de verre adhèrent avec du velcro (15) ► Alignez le disque de papier de verre sur le plateau de la ponceuse et faites coïncider les extrémités des deux parties (16) ► Pressez le disque de papier de verre sur la base jusqu'à ce qu'il adhère parfaitement (17).

## **ENTRETIEN.**

► La ponceuse a été conçue pour fonctionner longtemps avec un minimum d'entretien ► Le fonctionnement optimal de la ponceuse dépend des soins qui lui sont apportés et d'un nettoyage fréquent ► Pour éviter des accidents, débranchez toujours la ponceuse de sa source d'alimentation avant de la nettoyer ou de l'entretenir ► La ponceuse doit toujours être nettoyée de manière efficace en utilisant de l'air comprimé à la fin de chaque utilisation ► Utilisez toujours des lunettes de protection quand vous travaillez avec de l'air comprimé ► Si vous ne pouvez pas utiliser d'air comprimé, retirez la poussière de la ponceuse à l'aide d'une brosse ► Les fentes de ventilation du moteur et les interrupteurs doivent être toujours propres et dépourvus de tout résidu ► N'essayez pas de les nettoyer en introduisant des objets pointus par les ouvertures ► Certains produits de nettoyage et certains solvants, comme l'essence, le tétrachlorométhane, les solvants chlorés, l'ammoniaque et les produits de nettoyage domestiques contenant de l'ammoniaque, endommagent les composants en plastique ► N'utilisez aucun de ces produits pour nettoyer la ponceuse ► Si la machine produit beaucoup d'étincelles, faites réviser et/ou remplacer les balais par le service officiel de réparation Werku®.

## **PROTECTION DE L'ENVIRONNEMENT.**

► Les matériaux et composants utilisés pour fabriquer ce produit peuvent être réutilisés et recyclés ► Werku® a adhéré à un Système Intégré de Gestion qui se charge de l'élimination correcte des résidus de ce produit ► Ne jetez pas ce produit dans les ordures domestiques ► Werku® propose à ses clients un service gratuit de collecte de ces résidus dans tous ses points de vente, dans les points de collecte listés par le Système Intégré de Gestion ou dans les points de collecte de votre commune.

## **GARANTIE ET SERVICE TECHNIQUE.**

► Outre la garantie légale, Werku® offre une garantie commerciale supplémentaire ► Cette garantie commerciale couvre la réparation des défauts résultant de défaillances dans le matériel ou la fabrication ► Pour cela, les défauts doivent être constatés pendant la période de validité ► Le consommateur a droit à la réparation gratuite des défauts que Werku® reconnaît comme inclus dans la garantie commerciale (frais envoi, main d'œuvre et matériaux inclus), au choix de Werku®, au moyen de la simple réparation ou par remplacement (le cas échéant, par un modèle postérieur) ► Cette garantie commerciale n'affecte pas les droits du consommateur établis légalement par la Directive 1999/44/CE ► La période de validité de cette garantie commerciale est de 24 mois ► Si ce produit est destiné à une utilisation professionnelle ou industrielle, la période de validité est de 12 mois ► La période de validité débute à la date d'achat par le premier consommateur ► Cette date figure sur la facture ou le ticket de caisse ► Le droit de réclamer l'application de cette garantie commerciale expire six mois après la fin de la période de validité ► Les réclamations en vertu de cette garantie commerciale doivent être présentées au distributeur ou au Service d'Assistance Technique ► Pour cela, il est indispensable de présenter cette garantie dûment complétée et tamponnée par le distributeur, accompagnée de la facture ou du ticket d'achat ► Pour toute information relative à cette garantie commerciale, l'acheteur et/ou le distributeur peut contacter le Service d'Assistance Technique au +34 981 648 119, ou par courrier électronique à [info@werku.com](mailto:info@werku.com) ► Sont exclus de cette garantie commerciale les défauts causés par des pièces usées résultant

d'une utilisation naturelle, les défauts causés par le non respect ou la mauvaise application de la notice d'utilisation ou par une utilisation non conforme à celle à laquelle est destiné ce produit, par des facteurs environnementaux anormaux ou une surcharge, un entretien ou un nettoyage inadéquats, les défauts causés par l'utilisation d'accessoires ou de pièces de rechange qui ne sont pas des pièces d'origine Werku® et si le produit a été totalement ou partiellement démonté, modifié ou réparé par du personnel autre que celui du Service d'Assistance Technique, ou s'il s'agit d'irrégularités minimales et insignifiantes pour une utilisation et un fonctionnement adéquats ► Les réparations et remplacements ne prolongent ni ne renouvellent le délai de validité de cette garantie commerciale ► Les pièces remplacées sont la propriété de Werku® ► Si l'acheteur remet le produit au Service d'Assistance Technique en ne remplissant pas les conditions de cette garantie commerciale, les frais et risques du transport seront à sa charge ► Cette garantie commerciale est valable sur le territoire de l'Union Européenne ► L'entreprise responsable de l'application de cette garantie commerciale Werku® est Rico-Yáñez SA

## **ASSISTANCE TECHNIQUE.**

► Werku® met à votre disposition son service technique pour répondre à toutes les questions sur ses produits ► Si vous souhaitez contacter notre équipe, veuillez envoyer un courrier électronique à l'adresse suivante: [info@werku.com](mailto:info@werku.com) ► Werku® est une marque commerciale de Rico-Yáñez SA.

## CE CONFORMITEITSVERKLARING.

► Werku® verklaart dat de **WK403070** schuurmachine in overeenstemming is met de Europese richtlijnen en normen 2006/42/CE, 2006/95/CE, 2004/108/CE, EN60745-1:2009+A11:2010, EN60745-2-3:2011, EN55014-1:2006/+A1:2009/+A2:2011, EN55014-2:1997/+A1:2001/+A2:2008, EN61000-3-2:2006/+A1:2009/+A2:2009 en EN61000-3-3:2008.



La Coruña, 01/01/2015

Luís Casal

Technisch Directeur

## TECHNISCHE EIGENSCHAPPEN.

► Spanning-frequentie 230V~50Hz ► Vermogen 600W ► Klasse II ► Beveiliging index IP20  
► Toerental 0-1000 min<sup>-1</sup> ► 5 snelheden  
► Schijfdiameter 225 mm ► Totale lengte 600-1500 mm ► Netto gewicht 4.3 kg ► Geluidsdruk LpA ≤85 dB(A) ► Respectievelijke onzekerheid KpA 3,0 dB(A) ► Akoestische druk LwA ≤96 dB(A) ► Respectievelijke onzekerheid Kwa 3,0 dB(A)  
► Vibratie Ah,DS ≤3.18 m/s<sup>2</sup> ► Respectievelijke onzekerheid Kh 1,5 m/s<sup>2</sup>.

## VEILIGHEIDSINSTRUCTIES.

► Lees alle beveiligingswaarschuwingen en alle instructies ► Het niet opvolgen van alle hieronder vermelde waarschuwingen en instructies kan leiden tot elektrische schokken, brand en/of ernstig letsel ► Bewaar alle waarschuwingen en voorschriften voor toekomstig gebruik ► Ongevallen kunnen meestal worden voorkomen door erkenning van een potentiële gevaarlijke situatie voordat deze plaatsvindt en door het observeren van de juiste veiligheidsprocedures ► Deze schuurmachine niet gebruiken voor andere toepassingen dan die in deze handleiding zijn gespecificeerd.

## VEILIGHEID OP DE WERKOMGEVING.

► Houw de werkomgeving schoon en goed verlicht  
► Een rommelige of onverlichte werkomgeving kan ongevallen veroorzaken ► Gebruik geen elektrisch gereedschap in explosieve omgevingen, zoals in de aanwezigheid van brandbare vloeistoffen, gassen of stoffen ► Houw kinderen en nieuwsgierigen uit de buurt tijdens het gebruiken van een elektrisch gereedschap ► Afleidingen kunnen controleverlies veroorzaken.

## PERSOONLIJKE VEILIGHEID.

► Blijf alert, let op wat u doet en gebruik uw gezond verstand bij het bedienen van een elektrisch gereedschap ► Gebruik geen elektrisch gereedschap wanneer u moe of onder invloed bent van drugs, alcohol of medicijnen ► Een moment van onoplettendheid bij het gebruik van elektrisch gereedschap kan ernstige persoonlijke schade veroorzaken.

## GEBRUIK PBM's.

► Gebruik een beschermingsbril volgens EN166  
► Gebruik een beschermingsmasker volgens EN149 ► Indien vereist door de aard van het werk, gebruik andere precieze PBM's.

## NIET OP DE TENEN WERKEN.

► Houw de voeten goed op de grond en blijf in ieder moment in evenwicht  
► Dit vergemogelijkt een betere controle van het elektrisch gereedschap in onverwachte situaties.

## DRAAG GESCHIKTE KLEDING.

► Draag geen losse kleding of sieraden ► Houw uw haar, kleding en handschoenen uit de buurt van bewegende delen ► Losse kleding, sieraden en lange haren kunnen door bewegende delen worden opgenomen ► Als er apparaten zijn voor de verbinding van extractiemiddelen en stofverzamelaars, zorg erdan voor dat ze zijn aangesloten en juist worden gebruikt ► Het gebruik van deze apparaten kan gevaren die met stof te maken hebben verminderen.

## ELEKTRISCHE VEILIGHEID.

► De stekker van het elektrisch gereedschap moet bijpassend zijn met de basis van het stopcontact ► Verander de stekker nooit; op welke manier ook ► Gebruik geen verloopstekkers met geaard elektrisch gereedschap ► Onveranderde stekkers en passende stopcontacten zullen het risico op een elektrische schok verminderen ► Vermijd lichamelijk contact met geaarde oppervlakken zoals buizen, verwarmingen, fornuizen en koelkasten ► Er bestaat een verhoogd risico op een elektrische schok wanneer uw lichaam geaard is ► Elektrisch gereedschap niet blootleggen aan regen of natte omstandigheden ► Water in het elektrisch gereedschap zal het risico op een elektrische schok verhogen.

## HET SNOER NIET MISBRUIKEN.

► Gebruik het snoer nooit om het elektrische gereedschap te dragen, op te tillen of uit de

stekker te trekken ► Houd het snoer uit de buurt van hitte, olie, scherpe randen of bewegende onderdelen ► Een beschadigd of verward snoer verhoogt het risico op een elektrische schok ► Bij het gebruik buitenshuis van het elektrisch gereedschap, gebruik maken van een verlengsnoer dat geschikt is voor gebruik buitenshuis ► Het gebruik van een verlengsnoer dat geschikt is voor gebruik buitenshuis vermindert het risico op een elektrische schok ► Als het gebruik van het elektrisch gereedschap in een vochtige omgeving onvermijdelijk is, gebruik dan een stroom beveiligd met een aardlekschakelaar (RCD) ► Het gebruik van een aardlekschakelaar vermindert het risico van een elektrische schok.

## **VOORKOM HET ONOPZETTELIJK INSCHAKELEN.**

► Zorg ervoor dat de schakelaar op de “off” positie staat voor de verbinding met het netwerk of het transporteren van het elektrisch gereedschap ► Het dragen van het elektrische gereedschap met uw vinger aan de schakelaar of het aansluiten van het elektrisch gereedschap met de schakelaar op de “on” positie, nodigt uit tot ongevallen ► Verwijder sleutels of gereedschap voor het starten van het elektrische gereedschap ► Een achtergelaten sleutel of gereedschap in een draaiend onderdeel van het elektrische gereedschap kan persoonlijk letsel veroorzaken.

## **GEBRUIK EN ONDERHOUD VAN ELEKTRISCH GEREEDSCHAP.**

► Forceer het elektrisch gereedschap niet ► Gebruik het juiste elektrisch gereedschap voor de toepassing ► Met het juiste elektrisch gereedschap werkt u beter en veiliger binnen het toerental waarvoor deze werd ontworpen ► Gebruik het elektrisch gereedschap niet als de schakelaar niet kan worden geplaatst op de “on” en “off” posities ► Elk elektrisch gereedschap dat niet kan worden in- of uitgeschakeld is gevaarlijk en moet worden gerepareerd ► Trek de stekker uit het stopcontact en/of de accu voordat u afstellingen verricht, accessoires verwisselt of het elektrisch gereedschap weglegt ► Dergelijke preventieve veiligheidsmaatregelen verminderen het risico op het onopzettelijk aanzetten van het elektrische gereedschap.

## **HET OPSLAAN VAN PERSLUCHTGEREEDSCHAP.**

► Elektrisch gereedschap dat niet in gebruik

is moet worden opgeladen buiten het bereik van kinderen en mag niet worden gebruikt door personen zonder ervaring met elektrisch gereedschap of door mensen die deze instructies niet kennen ► Elektrisch gereedschap is gevaarlijk in de handen van onervaren gebruikers.

## **ONDERHOUD.**

► Controleer of bewegende delen niet los zitten of vastgelopen zijn, of er geen gebroken onderdelen of andere omstandigheden zijn die de werking van elektrisch gereedschappen kunnen beïnvloeden ► Elektrisch gereedschap moet worden gerepareerd voor gebruik en wanneer deze beschadigd zijn ► Veel ongelukken worden veroorzaakt door slecht onderhouden elektrisch gereedschap ► Gebruik elektrisch gereedschap en accessoires volgens deze instructies en op de wijze die voor het specifieke type elektrisch gereedschap geldt, rekening houdend met de werkomstandigheden en het te ontwikkelen werk ► Het gebruik van elektrisch gereedschap voor andere dan de voorziene toepassingen kan tot gevaarlijke situaties leiden ► Laat uw elektrisch gereedschap controleren en repareren door een officiële Werku<sup>®</sup> reparatieservice en gebruik alleen originele vervangingsonderdelen ► Dit zal de veiligheid van het elektrisch gereedschap in stand houden.

## **CONTROLEER DE GOEDE STAAT VAN DE SCHUURMACHINE.**

► Zorg ervoor dat alle schroeven in de schuurmachine perfect zijn vastgedraaid ► Laat de schuurmachine opwarmen door deze leeg te gebruiken gedurende koude klimaten of als de schuurmachine een lange periode niet gebruikt is, om ervoor te zorgen dat alle interne componenten perfect gesmeerd worden ► Zorg ervoor dat de eventuele geïnstalleerde accessoires perfect aangebracht zijn en op zijn plaats zitten.

## **VOORDAT U BEGINT.**

► Voordat u de schuurmachine gebruikt, zorg ervoor dat u stevig staat ► Controleer of er niemand onder de schuurmachine influentiezone staat indien u in de hoogte werkt ► Houw uw handen uit de buurt van alle bewegende delen van de schuurmachine.

## **TIJDENS HET WERKEN.**

► De schuurmachine niet laten werken zonder deze stevig vast te houden ► Laat deze allen werken als u zeker bent dat u volledige controle over de



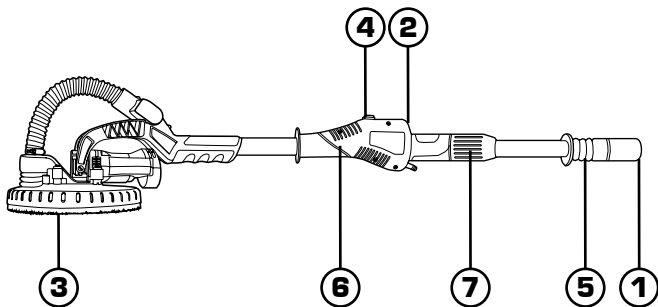
schuurmachine heeft ► Richt de schuurmachine nooit op iemand terwijl deze in gebruik is ► Bij gebruik van de schuurmachine kunnen trillingen optreden ► Schroeven kunnen geleidelijk loskomen en mogelijk storingen of ongevallen veroorzaken ► Houw uw handen uit de buurt van alle bewegende delen van de schuurmachine.

## HET WERK EINDE.

► Na gebruik, niet de geïnstalleerde accessoires in de schuurmachine aanraken ► Deze kunnen heet zijn en brandwonden veroorzaken ► Sommige materialen waarmee gewerkt is kunnen chemicaliën of giftige componenten bevatten ► Vermijd het inademen van deze stoffen of met deze in contact komen met de huid ► Gebruik PBM's ter voorkoming en bestrijding van incidenten van deze aard.

## BESCHRIJVING VAN HET PRODUCT.

► De schuurmachine is ontworpen voor werkzaamheden van schuren op wanden en plafonds van gipsplaat of afgewerkt met gips ► Raadpleeg voor gebruik dit plan om vertrouwd te raken met de schuurmachine.



1. Externe vacuüm aansluiting.
2. Schakelaar.
3. Ondersteuning schijf
4. Toerental selector.
5. Handvat.
6. Extra handgreep.
7. Lengte uitrekking stelschroef.

## GEBRUIKSAANWIJZING.

► Voor het starten van de schuurmachine, raden wij u aan zorgvuldig alle aangegeven instructies te lezen ► Respecteer alle voorschriften met betrekking tot de preventie van ongevallen, gezondheids- en veiligheidsrichtlijnen, wetten en toepasselijke beperkingen voor werkplekken ► De schuurmachine mag alleen worden gebruikt door personen die geïnstrueerd zijn in het gebruik ervan en uitsluitend voor de doeleinden waarvoor deze is ontworpen.

## ENERGIE VOEDING.

► Zorg ervoor dat de energie voeding is aangepast aan de op het informatiebord van de schuurmachine eisen (1) ► Bij een lage spanning zal de schuurmachine langzaam opereren ► Hierdoor zullen de prestaties verminderen en kan de motor oververhit raken.

## INSTELLING VAN UITREKKING.

► Draai de stelschroef van de uitrekbaare functie meerdere malen naar links (2) ► Trek het uitrekbaare gedeelte tot de gewenste positie (3) ► Draai de stelschroef klokwaards (4).

## BELANGRIJK.

► De schuurmachine moet met beide handen bij het handvat worden vastgehouden, om de best mogelijke positie te bereiken voor het gebruik van de schuurmachine in elke toepassing (5) ► Houw uw handen altijd op het handvat van de schuurmachine en nooit in de buurt van de schuurschijf, daar deze kan draaien in verschillende richtingen en hand letsel tot gevolg kan hebben (6) ► De schuurmachine heeft een volledig geleede schuurschijf die kan draaien in verschillende richtingen, waardoor deze zich kan aanpassen op ieder oppervlak (7, 8, 9) ► Gebruikers kunnen de bovenste, middelste en onderste wanden of plafonds schuuren zonder van positie te veranderen.

## AANSLUITEN OP EEN EXTERNE VACUÛMSYSTEEM.

► De schuurmachine kan worden aangesloten op een extern vacuüm systeem om de stof geproduceerd tijdens het schuurproces te verzamelen ► Daarvoor moet u er eerst voor zorgen dat er een geschikte stofzak in de stofzuiger zit (niet bijgeleverd) voor het verzamelen van pleister en mortel ► Het installeren van een ongeschikte of defecte stofzak zal de hoeveelheid stof in het werkgebied vergroten ► Langdurige blootstelling aan hoge concentraties van stof kan de luchtwegen aantasten ► Sluit een vacuüm slang aan op de schuurmachine (10) ► Het is niet aan te raden om de schuurmachine te gebruiken zonder eerst een stof verzamelen systeem aansluiten, aangezien dit ademhalingsproblemen kan veroorzaken ► De snelheid waarmee de zak vult zal afhangen van het materiaal dat wordt geschuurd en de dikte

van het schuurpapier dat wordt gebruikt ► Leeg de zak regelmatig om de beste resultaten te garanderen.

## **BESCHERMING BORSTEL VOOR DE SCHUURSCHIJF.**

► De schuurbasis wordt omgeven door een beschermende borstel (11) ► Deze borstel komt vóór het schuurpapier in aanraking met de oppervlakte dat moet worden geschuurd en garandeert dat beide parallel in contact komen, en daardoor voorkomt dat schade veroorzaakt kan worden al het schuurpapier per ongeluk tegen het werkvlak aankomt ► De beschermende borstel fungeert ook als een barrière tegen de stof die door de schuurmachine wordt gemaakt tijdens gebruik, zodat het geleidelijk wordt geëlimineerd door het externe stofzuigstelsel ► Als de beschermende borstel beschadigd of versleten is, moet deze worden vervangen.

## **TOERENTAL SELECTOR.**

► De schuurmachine is uitgerust met een snelheidsregelaar (12) ► De langzaamste snelheid in positie '1' en de snelste '5' ► De optimale snelheidsaanpassing voor elke toepassing is vooral afhankelijk van de voorkeuren van de gebruiker ► In het algemeen is een hoge waarde de voorkeur voor harde materialen en een lagere waarde voor zachte materialen ► De snelheid waarmee materiaal wordt verwijderd neemt toe met het toerental.

## **WERKING.**

► Sluit het externe vacuümsysteem aan ► Eenmaal aangesloten op de stroomvoorziening, schakel de schuurmachine aan door op de schakelaar te klikken (13) ► Laat de schakelaar los om de schuurmachine uit te schakelen ► Plaats de schuurschijf voorzichtig over de te schuren oppervlakte door het toepassen van voldoende druk ► Pas meer druk toe zodat het schuurpapier in contact komt met de oppervlakte en beweeg de schuurmachine met een heen en weer beweging geleidelijk over het werkkoppervlak (14) ► Gebruik alleen de vereiste kracht om het contact tussen de schuurmachine en het werkkoppervlak te behouden ► Overmatige druk kan schade veroorzaken aan het oppervlak dat wordt geschuurd ► Terwijl het schuurpapier in contact is met het werkvlak,

moet de schuurmachine in normale en constante beweging zijn om ongewenste markeringen op het werkkoppervlak te voorkomen ► Zorg ervoor dat het schuurpapier niet in contact komt met scherpe of puntige randen die schade kunnen veroorzaken aan de schuurmachine ► Controleer de resultaten regelmatig, daar de schuurmachine zeer snel materiaal kan verwijderen, zeker bij grof schuurpapier.

## **VASTSTELLING VAN DE SCHUURSCHIJVEN.**

► Steek de schuurmachine uit het stopcontact voordat u afstellingen doet of accessoires vervangt ► De schuurschijven worden op zijn plaats gehouden met klittenband (15) ► Lijn de schuurschijf over het ondersteuningsschijf, zodat de randen samenkomen (16) ► Druk de schuurschijf op zijn plaats totdat deze stevig vast zit (17).

## **ONDERHOUD.**

► De schuurmachine is ontworpen voor een lange levensduur met een minimum aan onderhoud ► Optimaal gebruik hangt af van de juiste verzorging en regelmatige reiniging van de schuurmachine ► Om ongelukken te voorkomen, altijd de stekker van de schuurmachine uit het stopcontact halen vóór het schoonmaken of onderhoud ► De schuurmachine kan na elk gebruik effectief worden gereinigd met behulp van perslucht ► Als er geen perslucht beschikbaar is, gebruik dan een borstel om stof van de schuurmachine te verwijderen ► Motor ventilatieopeningen schakelaarhendels moeten altijd schoon en vrij van stoffen ► Probeer tijdens het schoonmaken niet puntige voorwerpen door de openingen te voegen ► Sommige reinigungs- en oplosmiddelen kunnen schade veroorzaken aan de kunststof onderdelen, onder deze zijn benzine, tetrachloorkoolstof, chloorhoudende schoonmaakmiddelen, ammoniak en huishoudelijke schoonmaakmiddelen die ammoniak bevatten ► Gebruik geen van deze om de schuurmachine schoon te maken ► Mochten er overmatige vonken ontstaan, laat dan de Werku® officiële reparatiedienst een revisie maken en/of de koolborstels vervangen.

## **MILIEU BESCHERMING.**

► De materialen en componenten die zijn gebruikt om dit product te vervaardigen kunnen worden hergebruikt en gerecycleerd ► Werku® is gehecht

aan een geïntegreerd managementsysteem dat verantwoordelijk is voor de correcte verwijdering van de residuen van dit product. ► Gooi dit product niet weg met de gewone vuilnis ► Werku® biedt haar klanten een gratis collectiedienst voor deze resten op elke verkooppunt, op het verzamelpunt van het managementsysteem en op het schone inzamelpunt van uw woonplaats.

## **GARANTIE EN TECHNISCHE SERVICE.**

► Apart van de wettelijke garantie, biedt Werku® een extra commerciële garantie ► Deze commerciële garantie dekt de reparatie van alle geconstateerde gebreken die te wijten aan fouten in het materiaal of de fabricage ► Om deze dekking effectief te zijn is het noodzakelijk dat de gebreken verschijnen binnen de geldigheidsduur ► The consument heeft recht op gratis reparatie van alle defecten die Werku® erkent zoals opgenomen in de commerciële garantie (verzendkosten, arbeidskosten en materialen inbegrepen) en gekozen door Werku®, hetzij via de reparatie of door vervanging (eventueel met een nieuwer model) ► Deze commerciële garantie heeft geen invloed op de rechten van de consument gevestigd door de wet overeenkomstige Richtlijn 1999/44 / CE ► Deze commerciële garantie is geldig gedurende 24 maanden ► Als dit product is bestemd voor professioneel of industrieel gebruik, is de geldigheidsduur 12 maanden ► The geldigheidsduur begint op de datum van aankoop van de eerste consument ► Deze datum wordt getoond op de factuur of aankoopbon ► Acties voor claims tegen deze commerciële garantie vervallen zes maanden na het einde van de geldigheidsperiode ► Alle claims die voortvloeien uit deze commerciële garantie moeten aan de distributeur of aan de Technische Dienst worden voorgelegd ► Hiervoor moet u deze garantie correct ingevuld en gestempeld by de distributeur presenteren, samen met de factuur of kassabon ► Voor welke informatie ook over deze commerciële garantie, kunt U contact opnemen met de Technische Dienst op het telefoonnummer +34 981 648 119, of per e-mail op [info@werku.com](mailto:info@werku.com) ► Deze commerciële garantie geldt niet voor defecten veroorzaakt door onderdelen die versleten zijn door gebruik en andere vormen van natuurlijke slijtage, defecten veroorzaakt door het niet opvolgen van de instructies

voor het gebruik, bij toepassingen waarvoor dit product niet bestemd is, voor afwijkende omgevingsfactoren, overbelasting of onzorgvuldig onderhoud of reiniging, voor gebreken veroorzaakt door het gebruik van onderdelen, accessoires of vervangingen die niet origineel Werku® onderdelen zijn, indien dit product geheel of gedeeltelijk gedemonteerd, aangepast of gerepareerd is door iemand verschillend van de Technische Dienst, bij minimale en irrelevante onregelmatigheden die het normale gebruik niet beïnvloeden ► Reparaties en vervangingen verlengen of vernieuwen de geldigheidsduur van deze commerciële garantie niet ► De vervangen onderdelen worden eigendom van Werku® ► Indien de koper dit product naar de Technische Dienst stuurt en deze niet voldoet aan de voorwaarden van deze commerciële garantie, zijn alle onkosten en transport risico's voor de koper ► Deze commerciële garantie is alleen geldig op het grondgebied van de Europese Unie ► Het bedrijf dat verantwoordelijk is voor de naleving van deze Werku® commerciële garantie is Rico-Yáñez SA.

## **TECHNISCH ADVIES.**

► De technische afdeling van Werku® staat tot uw beschikking om eventuele vragen op te lossen die u mocht hebben met betrekking tot zijn producten ► Als u contact wilt opnemen met ons team, stuur dan een e-mail naar [info@werku.com](mailto:info@werku.com) ► Werku® is een commercieel merk van Rico-Yáñez SA.

## DECLARAÇÃO CONFORMIDADE CE.

► Werku® declara que a lixadora **WK403070** corresponde às Directivas e Normativas Europeias 2006/42/CE, 2006/95/CE, 2004/108/CE, EN60745-1:2009+A11:2010, EN60745-2-3:2011, EN55014-1:2006/+A1:2009/+A2:2011, EN55014-2:1997/+A1:2001/+A2:2008, EN61000-3-2:2006/+A1:2009/+A2:2009 e EN61000-3-3:2008.



La Coruña, 01/01/2015  
Luís Casal  
Director Técnico

## CARACTERÍSTICAS TÉCNICAS.

► Voltagem-frequência 230V~50Hz ► Potência 600W ► Classe II ► Índice protecção IP20  
► Rotações 0-1000 min<sup>-1</sup> ► 5 velocidades  
► Diâmetro disco 225 mm ► Comprimento total 600-1500 mm ► Peso líquido 4.3 kg ► Pressão acústica LpA ≤85 dB(A) ► Possível variação KpA 3.0 dB(A) ► Pressão acústica LwA ≤96 dB(A)  
► Possível variação KwA 3.0 dB(A) ► Vibração Ah,DS ≤3.18 m/s<sup>2</sup> ► Possível variação Kh 1.5 m/s<sup>2</sup>.

## INSTRUÇÕES DE SEGURANÇA.

► Leia todos os avisos de segurança e todas as instruções ► Não seguir todas as advertências e as instruções listadas abaixo pode resultar em choque eléctrico, incêndio e/ou ferimento grave ► Manter todos os avisos e as instruções para referência futura ► Os acidentes poderam evitar-se em muitos casos dando-se conta de uma situação perigosa antes de que se produza, e observando fielmente os procedimentos de segurança apropriados ► Não utilize nunca esta lixadora para aplicações que não sejam as especificadas neste manual.

## SEGURANÇA DO ÁREA DE TRABALHO.

► Manter a área de trabalho limpa e bem iluminada ► As áreas desorganizadas e escuras provocam acidentes ► Não opere ferramentas eléctricas em atmosferas explosivas, como na presença de líquidos, gases ou poeiras inflamáveis ► Manter longe do alcance das crianças e curiosos enquanto estiver operando uma ferramenta eléctrica ► As distrações podem fazer você perder o controle.

## SEGURANÇA PESSOAL.

► Esteja alerta, observe o que está fazendo e use o bom senso ao operar uma ferramenta eléctrica ► Não use a ferramenta quando estiver cansado ou sob a influência de drogas, álcool ou medicamentos ► Um momento de desatenção enquanto opera uma ferramenta pode causar ferimentos graves.

## USE EPIS.

► Use óculos protetores según EN149 ► Use máscaras protetores según EN149 ► Se o tipo de trabalho a realizar assim o exigir, utilize outros EPIs específicos.

## NÃO TRABALHE DE PUNTILHAS.

► Mantenha seus pés no chão e equilíbrio em todos os momentos ► Isso permite melhor controle da ferramenta em situações inesperadas.

## USAR ROUPA APROPRIADA.

► Não use roupas folgadas ou jóias ► Manter o cabelo, roupas e luvas longe das peças móveis ► Roupas folgadas, jóias ou cabelos longos podem ser agarradas por partes ► Se houver dispositivos para conexão através de extracção e colecta de pó, verifique se eles estão conectados e usados correctamente ► O uso destes dispositivos podem reduzir os riscos relacionados à poeira.

## SEGURANÇA ELÉCTRICA.

► O plugue da ferramenta eléctrica deve coincidir com a base do soquete ► Nunca modifique o plugue de qualquer forma ► Não utilize plugues adaptadores com ferramentas eléctricas ligadas à terra ► Plugues não modificados e bases compatíveis reduzirão o risco de choque eléctrico ► Evite contacto corporal com superfícies aterradas tais como tubos, radiadores, fogões e geladeiras ► Há um aumento do risco de choque eléctrico se seu corpo está no chão ► Não exponha ferramentas eléctricas à chuva ou humidade ► A água entrando na ferramenta eléctrica aumentará o risco de choque eléctrico.

## NÃO FORCE O CABO ELÉCTRICO.

► Nunca use o cabo de carregar, erguer ou retirar a ferramenta eléctrica ► Mantenha o cabo longe do calor, óleo, cantos afiados ou partes móveis ► Os cabos danificados ou emaranhados

aumentam o risco de choque eléctrico ► Ao operar uma ferramenta eléctrica ao ar livre, use um cabo de extensão apropriado para uso externo ► O uso de um cabo de extensão apropriado para áreas exteriores reduz o risco de choque eléctrico ► Se a utilização de uma ferramenta eléctrica em um local húmido estiver disponível, usar um poder protegida por um dispositivo de corrente residual (RCD) ► O uso de um RCD reduz o risco de choque eléctrico.

## **EVITE UM ACCIONAMENTO INVOLUNTÁRIO.**

► Verifique se o interruptor está na posição “off” antes de se conectar à rede, e ao coger ou carregar a ferramenta eléctrica ► Carregar ferramentas eléctricas com seu dedo no interruptor ou ligar que têm o interruptor em posição “on” convida a acidentes ► Retire a chave ou a ferramenta antes de iniciar a ferramenta eléctrica ► Unha chave ou ferramenta esquecida ou anexada a uma parte rotativa dunha ferramenta eléctrica pode causar danos pessoais.

## **USO E CUIDADOS COM FERRAMENTAS ELÉCTRICAS.**

► Não force a ferramenta eléctrica ► Use a ferramenta eléctrica correta para sua aplicação ► A ferramenta eléctrica correta fará o trabalho melhor e mais seguro se a taxa para o qual foi concebido ► Não use a ferramenta eléctrica se o interruptor não pode ser posicionada em posição “off” e “on” ► Qualquer ferramenta eléctrica que não pode ser controlada com o interruptor é perigosa e deve ser reparada ► Retire o plugue da alimentação e/ou da bateria antes de fazer quaisquer ajuste, troco de acessórios ou amacene de ferramentas eléctricas ► Tais medidas preventivas reduzem o risco de accionamento accidental da ferramenta eléctrica.

## **GUARDE AS FERRAMENTAS ELÉCTRICAS.**

► Guarde as ferramentas fora do alcance das crianças e não permitir o manuseamento de ferramentas eléctricas para as pessoas não familiarizadas com as ferramentas ou com estas instruções ► As ferramentas eléctricas são perigosas nas mãos de utilizadores inexperientes.

## **MANUTENÇÃO.**

► Verifique as partes móveis de desalinhamento, não há peças quebradas ou outras condições

que podem afectar o funcionamento das ferramentas eléctricas ► As ferramentas eléctricas são reparadas antes da utilização, quando estão danificadas ► Muitos acidentes são causados por ferramentas eléctricas sem manutenção ► Use ferramentas eléctricas, acessórios e pontas de ferramentas, etc de acordo com estas instruções e na forma prevista para o tipo particular da ferramenta, levando em conta as condições de trabalho e o trabalho a desenvolver ► O uso da ferramenta eléctrica para outras aplicações que não foram previstas, pode resultar em uma situação perigosa ► Verifique a sua ferramenta reparada por um serviço oficial de reparação Werku® usando peças de substituição idênticas ► Isso irá garantir a segurança da ferramenta seja mantida.

## **VIGIE O BOM ESTADO DA LIXADORA.**

► Verifique se os parafusos da lixadora estão todos perfeitamente apertados ► Em climas frios ou quando a lixadora tenha estado sem uso durante muito tempo, deixe que a lixadora aqueça um pouco fazendo-a funcionar em vazio durante uns minutos para permitir uma perfeita lubrificação dos componentes internos ► Certifique-se que os possíveis acessórios instalados están perfeitamente assentes na posição correcta.

## **ANTES DE COMEÇAR A TRABALHAR.**

► Certifique-se que se encontra firmemente apoiado ► Certifique-se que não há ninguém debaixo da zona de influência da lixadora quando levar a cabo trabalhos em zonas elevadas ► Afaste as mãos das partes em movimento da lixadora.

## **DURANTE O FUNCIONAMENTO.**

► Não deixe a lixadora a funcionar sem tela bem fixa ► Coloque-o em funcionamento quando tiver a certeza que está perfeitamente controlado ► Não aponte a lixadora a ninguém durante o funcionamento ► A lixadora produzirá vibrações durante o funcionamento ► Os parafusos podem afrouxar progressivamente podendo causar avarias ou acidentes ► Afaste as mãos das partes em movimento da lixadora.

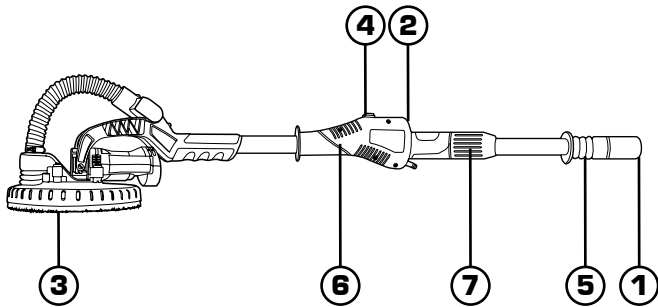
## **AO TERMINAR DE TRABALHAR.**

► Não toque nos acessórios instalados na lixadora após a sua utilização ► Pode estar

muito quente e provocar queimaduras ► Alguns materiais sobre os quais trabalhará podem conter químicos ou componentes que podem ser tóxicos ► Tenha cuidado para prevenir a inalação destas substâncias ou o contacto com a pele ► Utilize os EPIs desenhados para o prevenir e proteger destas incidências.

## DESCRIÇÃO DO PRODUTO.

► A lixadora foi desenhada para realizar trabalhos de lixagem em paredes e tectos de pladur ou revestimentos de estuque ► Observe este esquema para se familiarizar com a lixadora antes de a utilizar.



1. Conexão sistema aspiração.
2. Interruptor.
3. Prato suporte.
4. Regulador velocidade.
5. Punho.
6. Punho auxiliar.
7. Rosca ajuste extensão comprimento.

## INSTRUÇÕES DE USO.

► Antes de colocar a lixadora em funcionamento, aconselhamos a ler completa e minuciosamente todas as instruções que se indicam ► Ainda assim, deverá ter em conta as normas para a prevenção de acidentes, os regulamentos e as directivas, as leis e restrições vigentes para os centros de trabalho ► A lixadora deve de ser utilizado unicamente por pessoas devidamente preparadas para a sua operação e exclusivamente de acordo com os fins previstos.

## FONTE DE ALIMENTAÇÃO.

► Certifique-se de que a fonte de alimentação se ajusta aos requisitos especificados na placa de dados da lixadora (1) ► Pôr o motor a funcionar a baixa voltagem fará com que este opere lentamente ► Isto reduzirá o rendimento e pode causar o sobreaquecimento do motor.

## EXTENSÃO ELÉCTRICA.

► Quando a zona de trabalho estiver afastada da fonte de alimentação, utilize uma extensão eléctrica com diâmetro e qualidade suficientes.

## AJUSTE DO EXTENSÍVEL.

► Afrouxe a rosca de ajuste que sujeita o extensível girando-a várias vezes para a esquerda (2) ► Atire para fora do extensível até chegar à posição desejada (3) ► Aperte a rosca girando-a para a direita (4).

## IMPORTANTE.

► A lixadora deve ser agarrada com ambas as mãos pelo cabo, posicionando as mãos de modo a conseguir a melhor posição para manejar a lixadora em qualquer aplicação (5) ► Mantenha sempre as mãos sobre o cabo da lixadora, não as coloque nunca na zona da cabeça de lixagem porque os pivots da cabeça de lixagem actuam em várias direcções e poderiam prender-lhe a mão provocando um acidente (6) ► A lixadora tem uma cabeça de lixagem completamente articulada, podendo deslocar-se em múltiplas direcções, permitindo ao prato de lixagem adaptar-se ao tipo de superfície ao lixar (7, 8, 9) ► Esta particularidade permite ao utilizador lixar a parte alta, média ou baixa de uma parede ou de um tecto sem alterar a sua posição.

## LIGAÇÃO AO SISTEMA DE ASPIRAÇÃO EXTERNO.

► A lixadora pode ser ligada a um sistema de aspiração externo para recolher o pó gerado durante o processo de lixagem ► Para isso, em primeiro lugar, certifique-se que dentro do aspirador (não fornecido) se instalou uma bolsa apropriada para recolher o pó procedente do pladur ou do gesso ► O facto de instalar uma bolsa de recolha de pó inadequada ou defeituosa aumentará a presença de pó no ambiente da área de trabalho ► Uma exposição contínua e prolongada a altas concentrações de pó pode afectar o sistema respiratório ► Ligue uma mangueira de aspiração à lixadora (10) ► Não é recomendável utilizar a lixadora sem a ter ligado a um sistema de recolha de pó porque pode provocar riscos para a sua respiração ► A velocidade com que se pode encher a bolsa colectora variará de acordo com o tipo de

material a lixar e a grossura da folha de lixa  
▶ Para conseguir melhores resultados, limpe a bolsa com frequência.

## **ESCOVA PROTETORA DO DISCO DE LIXAGEM.**

▶ O prato de lixagem está rodeado por uma escova de protecção (11) ▶ Esta escova protectora entra em contacto com a superfície a lixar antes da própria folha de lixa, assegurando assim que o contacto entre ambos seja perfeitamente paralelo evitando danos provocados por contactos inesperados da folha de lixa na superfície de trabalho ▶ Por outro lado, a escova protectora serve de barreira ao pó gerado pela lixadora durante o seu funcionamento, recolhendo-o para que o sistema de aspiração externo o elimine progressivamente ▶ Se a escova protectora estiver danificada ou excessivamente desgastada, deve ser substituída.

## **SELECTOR DE VELOCIDADE.**

▶ A lixadora está equipada com um selector de velocidade (12) ▶ A velocidade mais lenta é marcada pela posição “1” e a velocidade mais alta é marcada pela posição “5” ▶ O ajuste de velocidade óptimo para cada aplicação depende em grande medida da preferência do utilizador ▶ Em geral, é preferível um valor alto em materiais duros e um valor menor em materiais moles ▶ A velocidade de eliminação do material aumenta com a velocidade de rotação.

## **FUNCIONAMENTO.**

▶ Ligue o sistema de aspiração externo ▶ Uma vez ligada à rede eléctrica, para ligar a lixadora, pulse o interruptor (13) ▶ Para desligar a lixadora, solte o interruptor ▶ Coloque a lixadora cuidadosamente sobre a superfície a lixar aplicando a pressão suficiente para alinhar o prato de lixagem com a superfície de trabalho ▶ Aplique pressão adicional sobre a lixadora para fazer com que a folha de lixa entre em contacto com a superfície de trabalho e maneje a lixadora com movimentos sobrepostos a fim de suavizar pouco a pouco a superfície de trabalho (14) ▶ Aplique apenas a força necessária e não mais sobre a lixadora simplesmente para manter o contacto entre a folha de lixa e a superfície de

trabalho ▶ Se aplicar uma pressão excessiva poderá causar danos na superfície a lixar ▶ Enquanto a folha de lixa estiver em contacto com a superfície de trabalho a lixadora deverá manter um movimento estável e constante para evitar marcas não desejadas sobre a superfície de trabalho ▶ Evite que a folha de lixa entre em contacto com superfícies pontiagudas ou afiadas para evitar danos na lixadora ▶ Verifique os resultados com frequência, esta lixadora pode eliminar material muito rapidamente, especialmente se utilizar uma folha grossa.

## **FIXAÇÃO DOS DISCOS DE LIXAGEM.**

▶ Desligue a lixadora da rede eléctrica antes de levar a cabo qualquer ajuste ou substituição de acessórios ▶ Os discos de lixagem são fixados com velcro (15) ▶ Alinhe o disco de lixagem sobre o prato para que coincidirem os limites de ambas as partes (16) ▶ Pressione o disco de lixa sobre a base até aderir perfeitamente (17).

## **MANUTENÇÃO.**

▶ A lixadora foi desenhada para funcionar durante muito tempo com o mínimo de manutenção ▶ O funcionamento óptimo depende do bom cuidado da lixadora e de uma limpeza frequente ▶ Para evitar acidentes, retire sempre a lixadora da fonte de alimentação antes de dar início à limpeza ou a qualquer tipo de manutenção da mesma ▶ A lixadora deverá ser limpa de maneira eficaz mediante o uso de ar comprimido ▶ Utilize sempre óculos protetores quando trabalhar com ar comprimido ▶ Se não poder utilizar ar comprimido, retire as poeiras da lixadora com uma escova ▶ As fendas de ventilação do motor e os interruptores devem estar sempre limpos e sem qualquer tipo de resíduos ▶ Não tente limpá-los introduzindo objectos pontiagudos através das aberturas ▶ Alguns produtos de limpeza e dissolventes danificam os componentes de plástico, entre os quais se destaca a gasolina, o tetraclorometano, os dissolventes de limpeza clorados, o amoníaco, os produtos de limpeza clorados, e os produtos de limpeza domésticos que contêm amoníaco ▶ Não utilize nenhum dos produtos anteriormente mencionados para limpar a lixadora ▶ Caso detecte a formação de faíscas de modo excessivo, faça com que o Serviço oficial de reparação Werku® reveja a lixadora e/ou substitua as escovas.

## **PROTECÇÃO DO MEIO AMBIENTE.**

► Os materiais e os componentes que foram usados para fazer este produto podem ser reutilizados e reciclados ► Werku® está aderido a um Sistema Integrado de Gestão que está encarregado da correta eliminação dos resíduos deste produto ► Não elimine este produto com os resíduos domésticos ► Werku® oferece aos seus clientes um serviço livre de colecção destes resíduos nos seus pontos de venda, nos pontos de colecção estabelecidos pelo Sistema Integrado de Gestão ou no ponto de reciclagem da sua cidade.

## **GARANTIA E SERVIÇO TÉCNICO.**

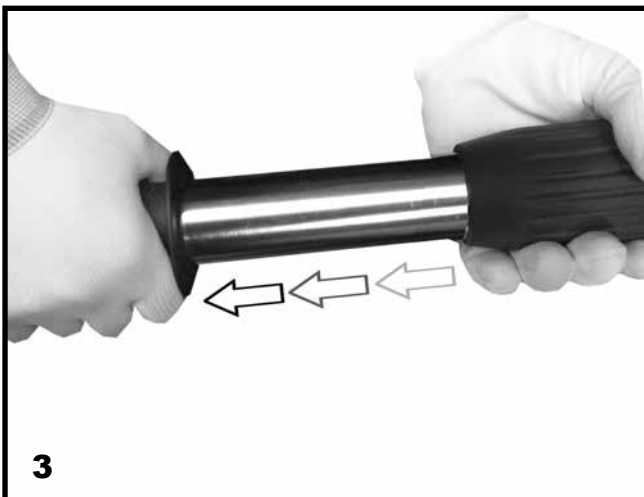
► Para além da garantia legal, a Werku® oferece uma garantia comercial adicional ► Esta garantia comercial cobre a reparação dos defeitos resultantes de erros nos materiais ou na fabricação ► Para isso é imprescindível que os defeitos ocorram dentro do período de validade ► O consumidor tem direito á reparação gratuita dos defeitos que a Werku® reconheça como incluídos na garantia comercial (custos de envio, mão de obra e materiais incluídos), cabendo á Werku®, optar pela reparação da escada defeituoso ou pela substituição (substituindo, se for necessário, por um modelo posterior) ► Esta garantia comercial não afecta os direitos do consumidor estabelecidos pela lei de acordo com a Directiva 1999/44/CE ► O período de validade desta garantia comercial é de 24 meses ► Caso o producto se destine a um uso profissional ou industrial, o período de validade é de 12 meses ► O período de validade começa na data de aquisição pelo primeiro consumidor ► Esta data está reflectida na factura ou ticket de compra ► A acção para reclamar o cumprimento desta garantia comercial prescreve seis meses a contar do fim do período de validade ► A reclamação em virtude desta garantia comercial deve apresentar-se ao distribuidor ou ao Serviço de Assistência Técnica ► Para isso é imprescindível apresentar esta garantia devidamente preenchida e selada pelo distribuidor, juntamente com a factura ou o ticket de compra ► Para qualquer informação referente a esta garantia comercial o comprador e/ou o distribuidor pode pôr-se em contacto com o Serviço de Assistência Técnica, através do telefone +34 981 648 119, ou por correio electrónico [info@werku.com](mailto:info@werku.com) ► Fican excluída

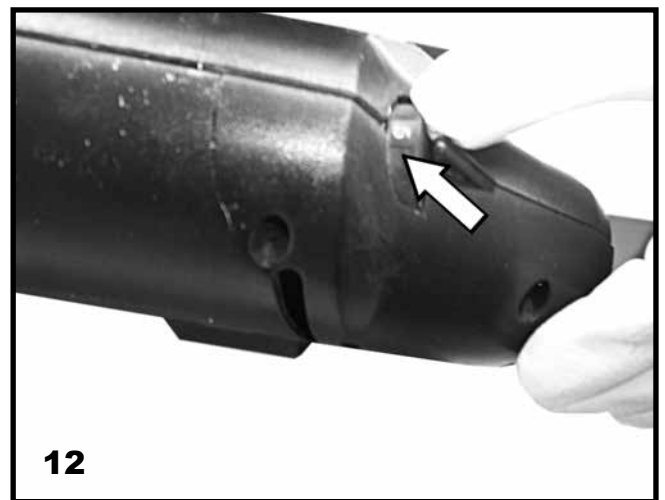
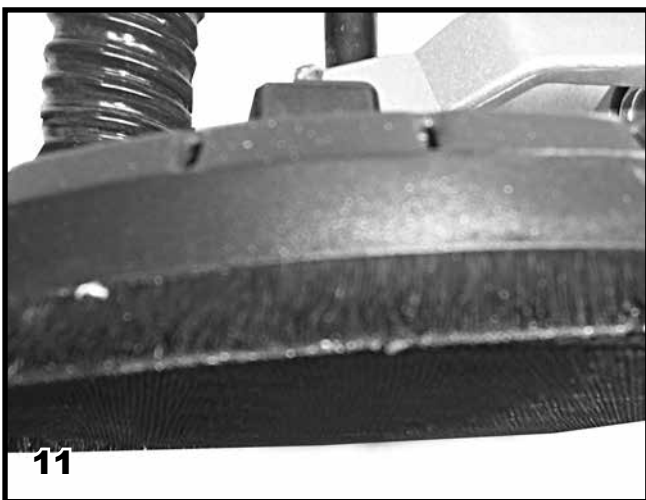
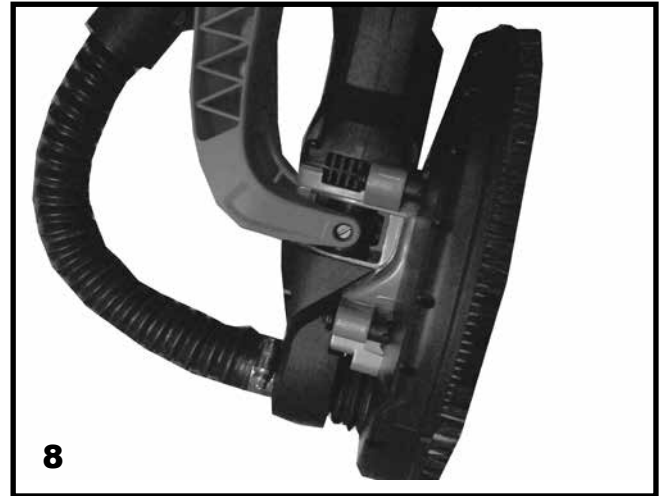
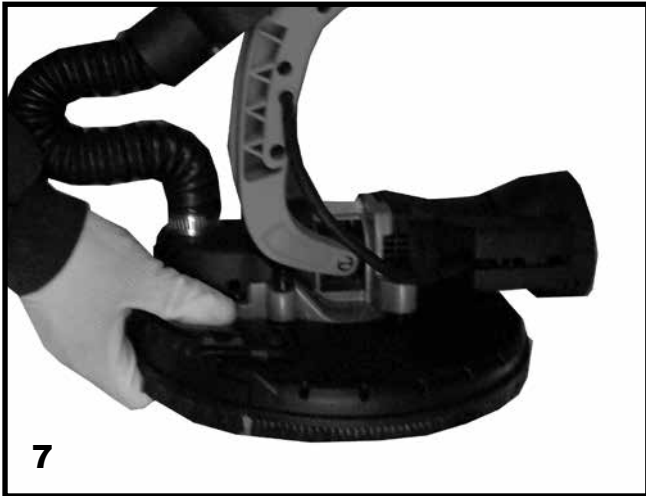
desta garantia comercial os defeitos que tenham sido causados por peças desgastadas pelo uso ou outro tipo de desgaste natural, os defeitos causados pela inobservância ou incumprimento das instruções de uso e funcionamento, ou de aplicações não conformes com o uso a que se destina este producto, ou de factores ambientais anormais, ou de sobrecarga, ou de manutenção ou limpeza inadequadas, defeitos causados pelo uso de acessórios, complementos ou peças de substituição que não sejam peças originais da Werku®, o producto total ou parcialmente desmontado, modificado ou reparado por pessoal alheio ao Serviço de Assistência Técnica o as irregularidades mínimas e irrelevantes para o uso e funcionamento adequado ► As reparações e substituições não prolongam nem renovam o prazo de validade desta garantia comercial ► As peças substituídas passam a ser propriedade da Werku® ► Se o comprador enviar o producto para o Serviço de Assistência Técnica, não cumprindo as condições desta garantia comercial, as despesas e riscos de transporte correm a cargo do comprador ► Esta garantia comercial é válida dentro do território da União Europeia ► A empresa responsável pelo cumprimento desta garantia comercial da Werku® é Rico-Yáñez SA.

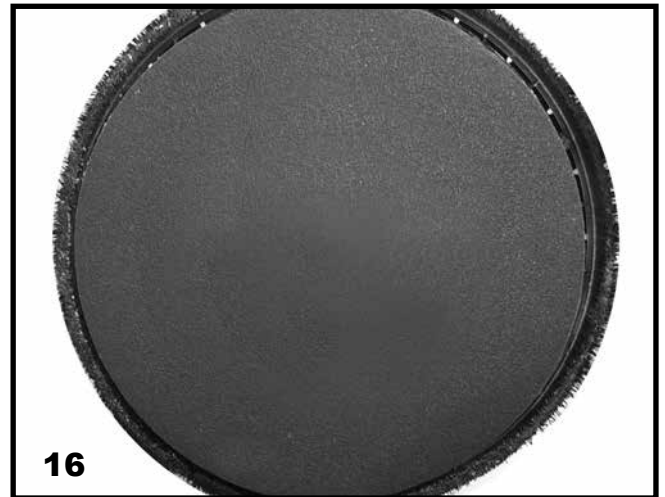
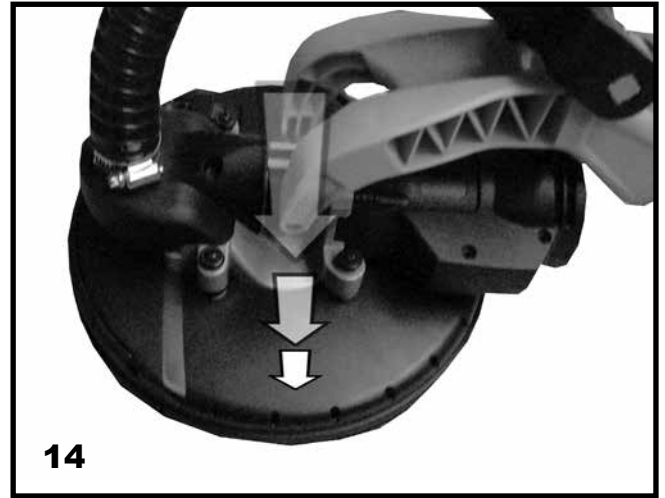
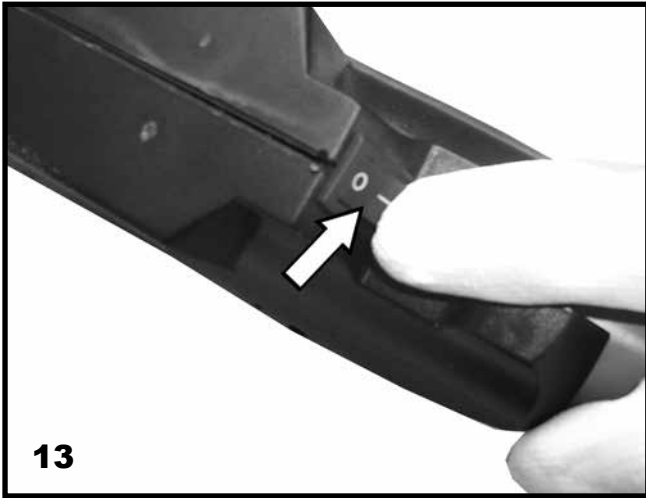
## **ASSESSORAMENTO TÉCNICO.**

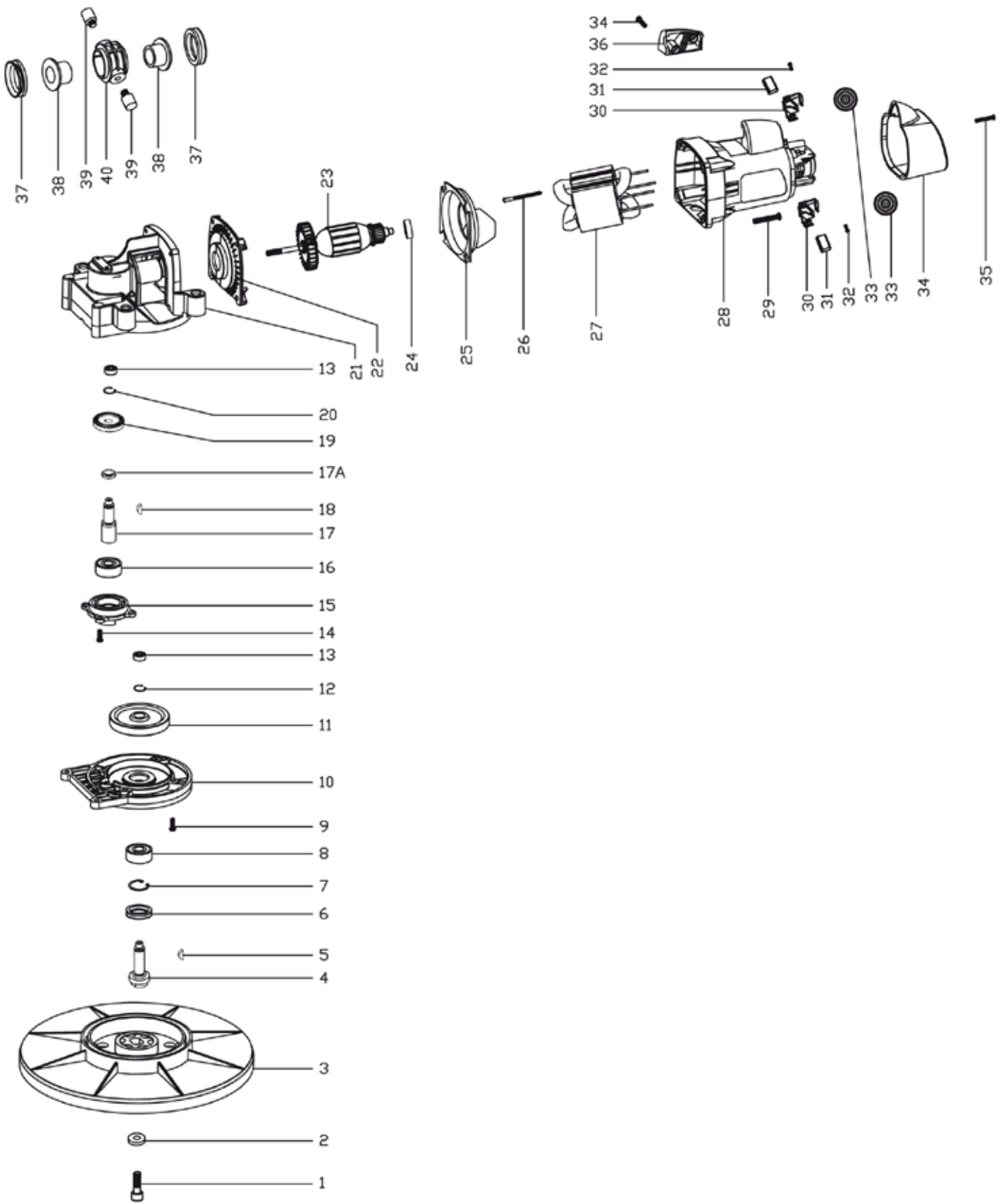
► A Werku® põe a sua disposição seu departamento técnico para resolver qualquer dúvida que possa surgir sobre seus produtos ► Em caso que deseje estabelecer contacto com nossa equipe, remeta um correio electrónico à direção [info@werku.com](mailto:info@werku.com) ► Werku® é uma marca comercial de Rico-Yáñez SA.

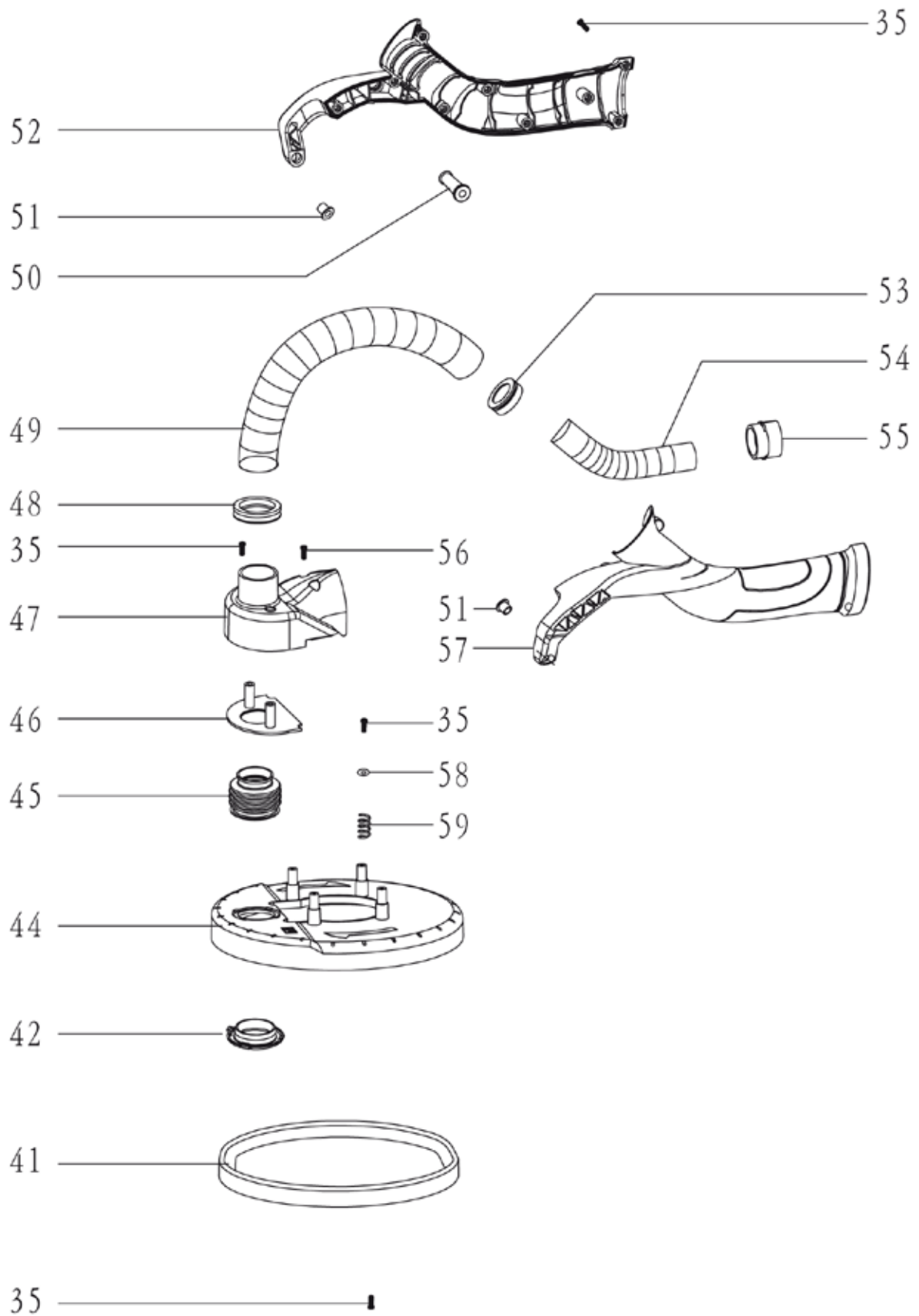
















**GUARANTEE**

►Service under guarantee is only provided upon presentation of this signed and stamped guarantee, together with the invoice or receipt.

**GARANTÍA**

►Para hacer uso del servicio de garantía es imprescindible la presentación de esta garantía debidamente cumplimentada y sellada, junto con la factura o ticket de compra.

**GARANTIE**

►Service unter Garantie ist nur versehen bei Vorlage dieses unterzeichneten und abgestempelten Garantie, zusammen mit der Rechnung oder Quittung.

**GARANTIE**

►Service sous garantie est fournie uniquement sur présentation de la garantie signée et cachetée, avec la facture ou le reçu.

**GARANTIE**

►Service onder garantie wordt alleen verstrekt op vertoon van deze getekende en gestempelde garantie, samen met de factuur of kassabon.

**GARANTIA**

►A assistência técnica em garantia so e prestada mediante a prestação desta garantia devidamente cumprimentada e selada, junto com a fatura ou ticket de compra.

ITEM NUMBER  
NÚMERO ARTÍCULO  
ARTIKELNUMMER  
NUMÉRO D'ARTICLE  
ARTIKELNUMMER  
NÚMERO ARTIGO

**WK403070**

DATE OF PURCHASE  
FECHA DE COMPRA  
KAUFDATUM  
DATE D'ACHAT  
DATUM VAN AANKOOP  
DATA DE COMPRA

\_\_\_\_\_ / \_\_\_\_\_ / \_\_\_\_\_

DISTRIBUTOR STAMP  
SELLO DISTRIBUIDOR  
VERTRIEBER STEMPEL  
DISTRIBUTEUR CACHET  
DEALER STEMPEL  
CARIMBO DISTRIBUIDOR

